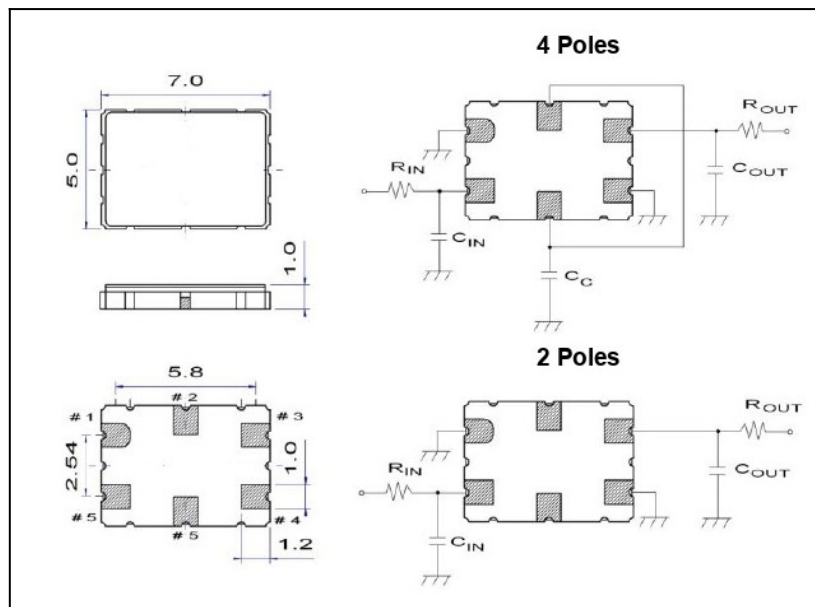




## Preliminary Data Sheet

<b>Center Frequency (Fc):</b>	21.4 MHz ~ 92.16 MHz
<b>Number of Poles:</b>	2, 4
<b>3 dB Band width:</b>	$\pm 15$ KHz (max.)
<b>Ripple:</b>	$\pm 1$ dB (max.)
<b>Insertion Loss:</b>	4 dB (max.)
<b>Guaranteed Attenuation Fo ~ <math>\pm</math> KHz: -910 <math>\pm</math> 10</b>	50 dB (min.)
<b>Terminal Impedance:</b>	As per Customer requirement
<b>Operating Temperature Range:</b>	-20°C to +70°C, -30°C to +75°C, -40°C to +85°C
<b>Dimensions:</b>	7.0 mm x 5.0 mm x 1.0 mm

### Mechanical Specification (in mm):



**Andhra Electronics Pvt. Ltd.**

Plot No.: 34 & 35, IDA,  
Kakinada-533 005  
Andhra Pradesh, India  
URL: [www.andhraelec.com](http://www.andhraelec.com)

Phone: +91 884 234 2203  
Fax: +91 884 234 1145  
e-mail: [info@andhraelec.com](mailto:info@andhraelec.com)