



Preliminary Data Sheet

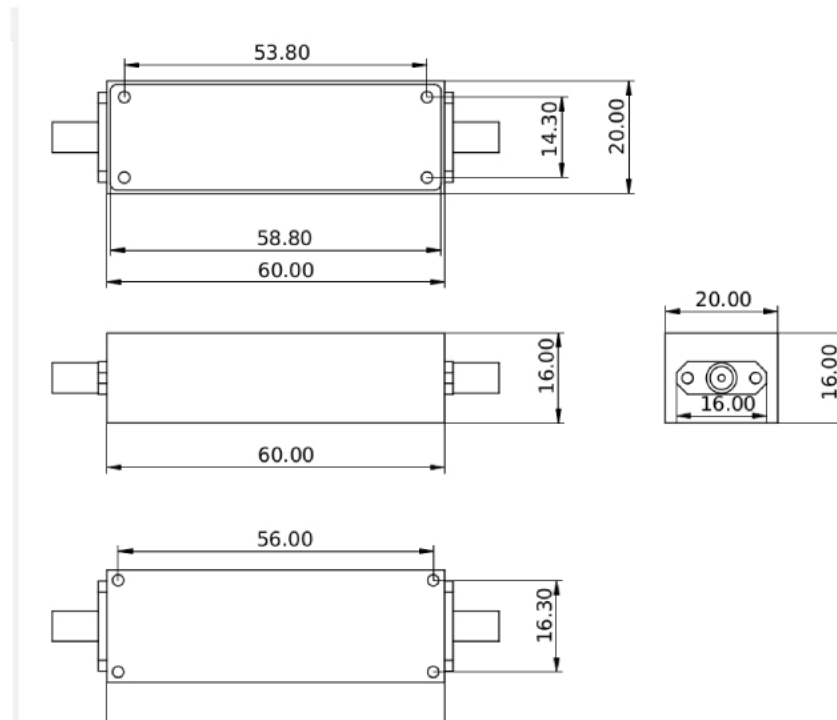
Product: 400 MHz LPF

Part. No:-AE/LC/LPFP3G4A4400M

1. Electrical Specifications:

Cut off frequency(Fc)	:	400 MHz
Insertion loss @ Fc	:	3.0 dB (max)
Rejection @ 700MHz	:	30 dB (Min)
VSWR	:	2:1 dB (Max)
Impedance	:	50Ω
Operating Temperature Range	:	-40°C to +85°C
Connectors	:	SMA(F)
Power Handling	:	25dBm
Dimension	:	60.0X20.0X16.0mm (Tol ±0.3mm)

2.Package Drawing:



Doc No:AE/PDS/574

Revision:00
Date of issue:OCT/21

Andhra Electronics Pvt. Ltd.

Plot No.: 34 & 35, IDA,
Kakinada-533 005
Andhra Pradesh, India
URL: www.andhraelec.com

Phone: +91 884 234 2203
Fax: +91 884 234 1145
e-mail: info@andhraelec.com