

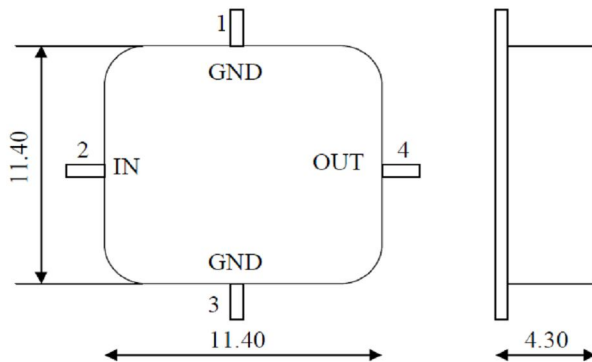


HIGH PASS FILTER

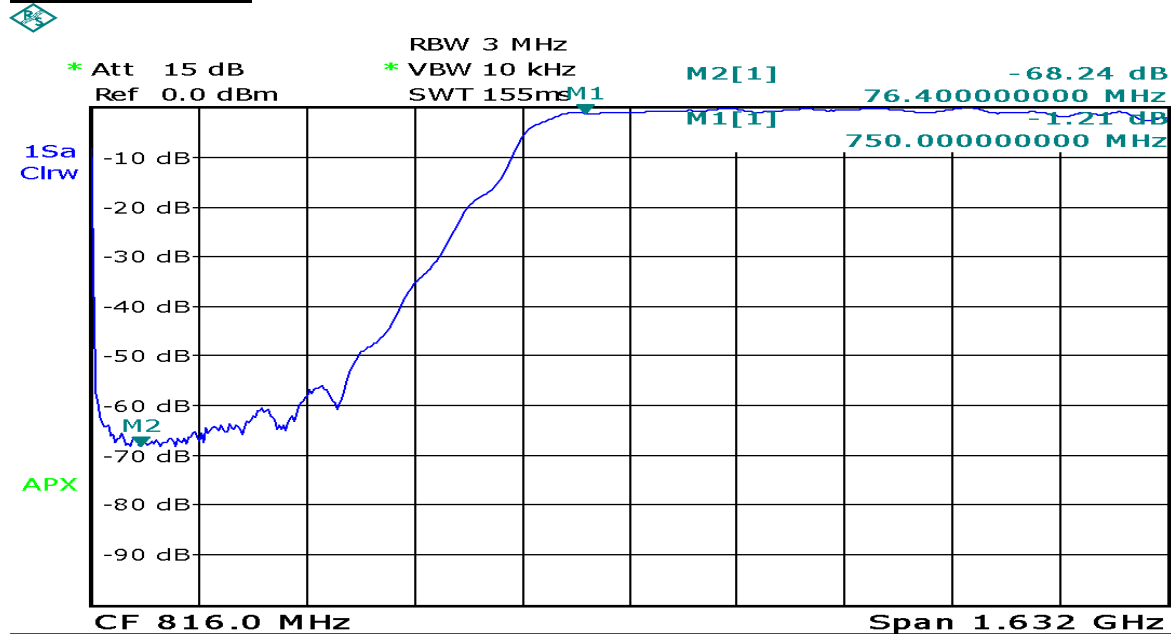
P.NO:AE-HPF-750.0

Cut off frequency : 750 MHz
Insertion Loss @fc : 1.2 dB (MAX)
Pass Band VSWR : 1.5: 1 (MAX)
Rejection : 70 dB@ 76.4MHz
Impedance : 50
Operating Temperature : -20°C TO+75°C
Package : ENCLOSED
Dimensions : 11.40x11.40x4.30 mm

PACKAGE



RESPONSE PLOT



Date: 27.APR.2010 10:14:41

Andhra Electronics Pvt. Ltd.

Plot No.: 34 & 35, IDA,
Kakinada-533 005
Andhra Pradesh, India
URL: www.andhraelec.com

Phone: +91 884 234 2203
Fax: +91 884 234 1145
e-mail: info@andhraelec.com