

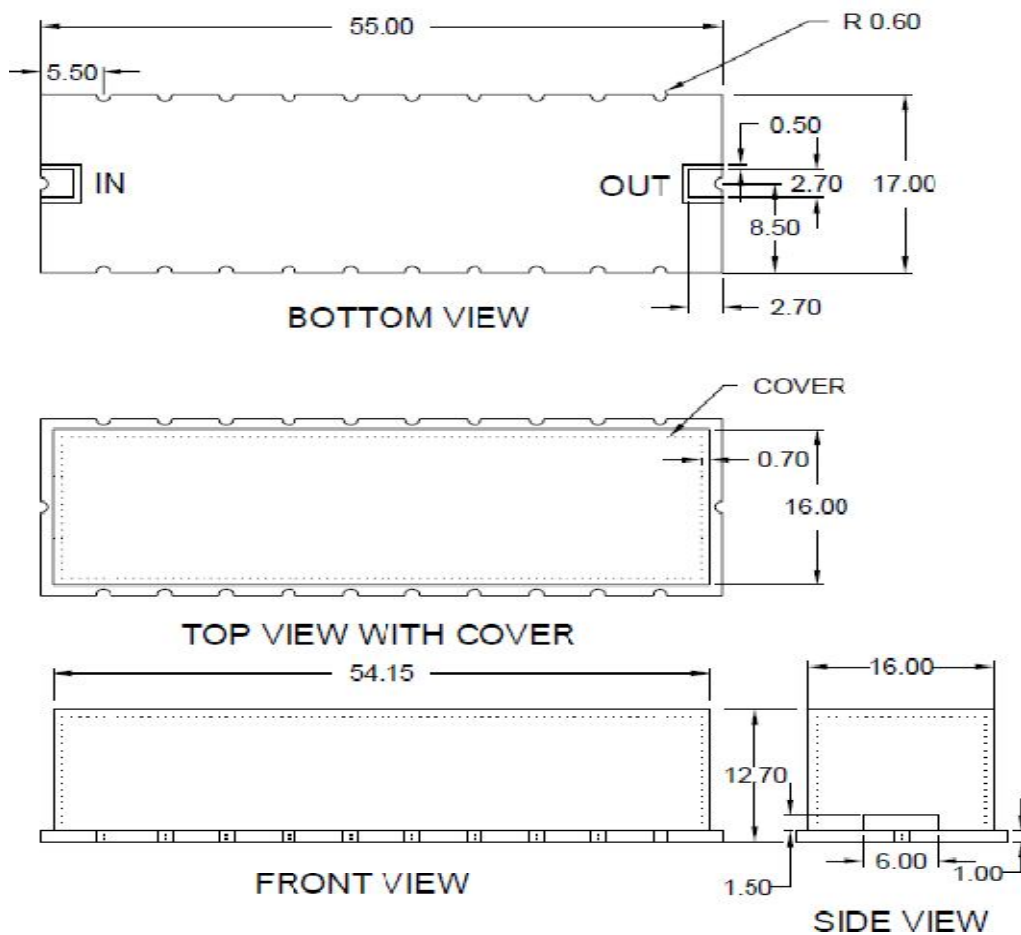


BAND PASS FILTER

PART NO: AE.BPF.8/40

Centre frequency	:	8 MHz
Insertion loss	:	<3 dB
1 dB band width	:	$f_c \pm 2$ MHz
Ripple in pass band	:	<1.0 dB (peak to peak)
Return loss over the pass band	:	>10 dB
Stop band attenuation @5.4 MHz	:	25 dB
Stop band attenuation @11 MHz	:	35 dB
Group Delay	:	650 ns
Operating temperature range	:	-20°C to +70°C
Storage temperature	:	-30°C to +85°C
Maximum Power level	:	+10 dBm
Package	:	SMD
Size	:	55x17x12.7 mm

Drawing:



Andhra Electronics Pvt. Ltd.

Plot No.: 34 & 35, IDA,
Kakinada-533 005
Andhra Pradesh, India
URL: www.andhraelec.com

Phone: +91 884 234 2203
Fax: +91 884 234 1145
e-mail: info@andhraelec.com



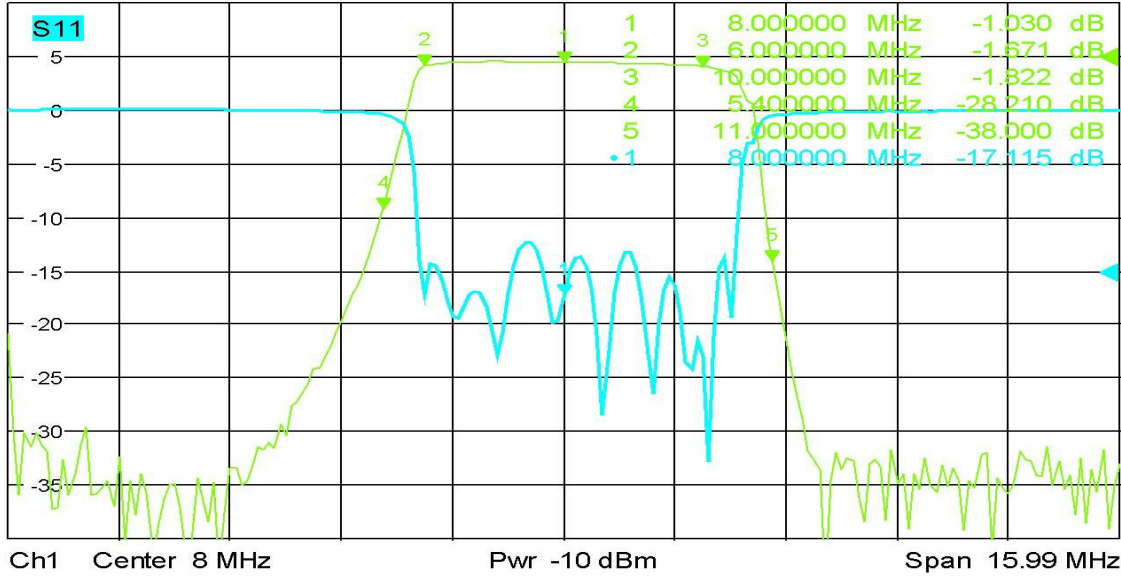
BAND PASS FILTER

Response plot:



Trc1 S21 dB Mag 10 dB / Ref 0 dB Cal
 Trc2 S11 dB Mag 5 dB / Ref -15 dB Cal

1



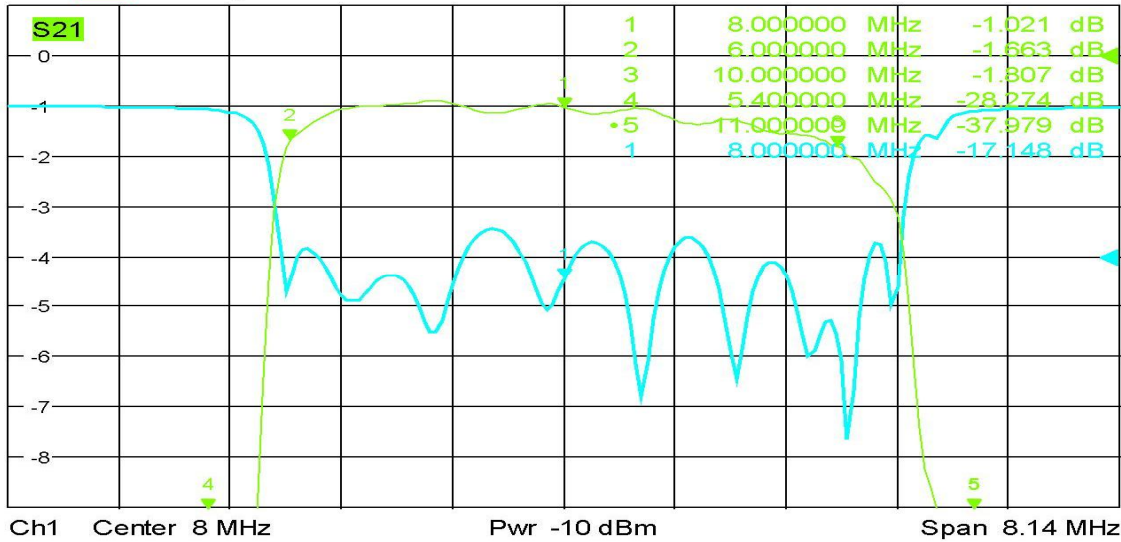
700

Date: 19.NOV.2012 08:55:19



Trc1 S21 dB Mag 1 dB / Ref 0 dB Cal int
 Trc2 S11 dB Mag 5 dB / Ref -15 dB Cal int

1



700

Date: 19.NOV.2012 08:55:56

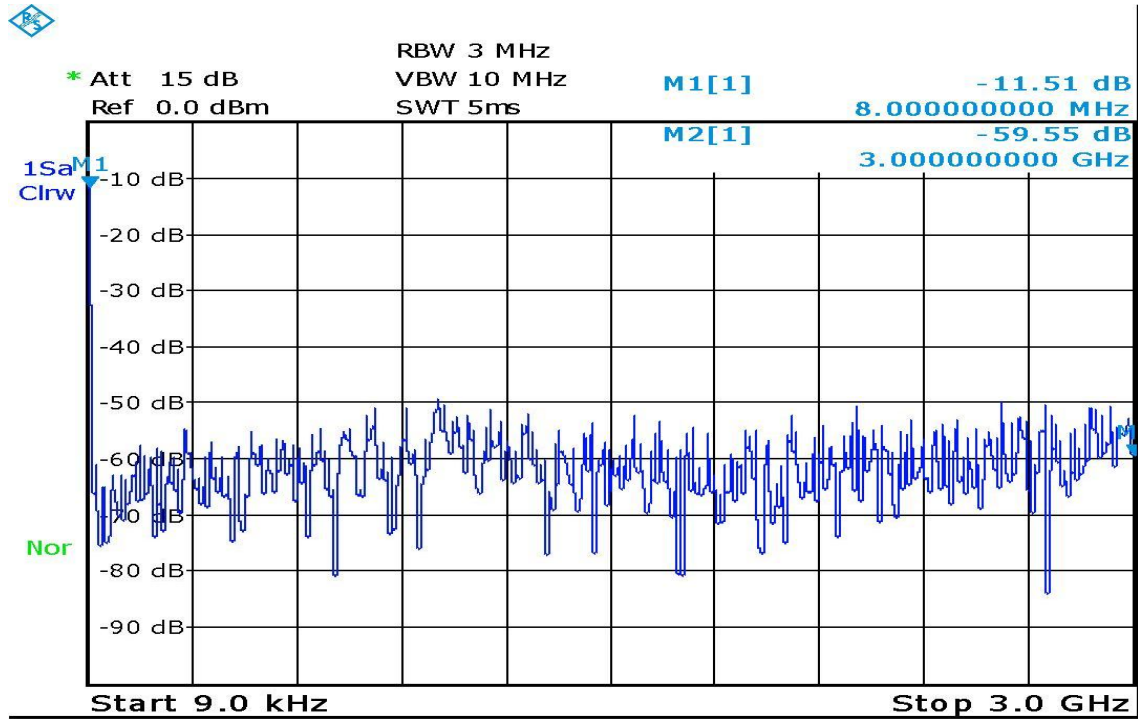
Andhra Electronics Pvt. Ltd.

Plot No.: 34 & 35, IDA,
 Kakinada-533 005
 Andhra Pradesh, India
 URL: www.andhraelec.com

Phone: +91 884 234 2203
 Fax: +91 884 234 1145
 e-mail: info@andhraelec.com

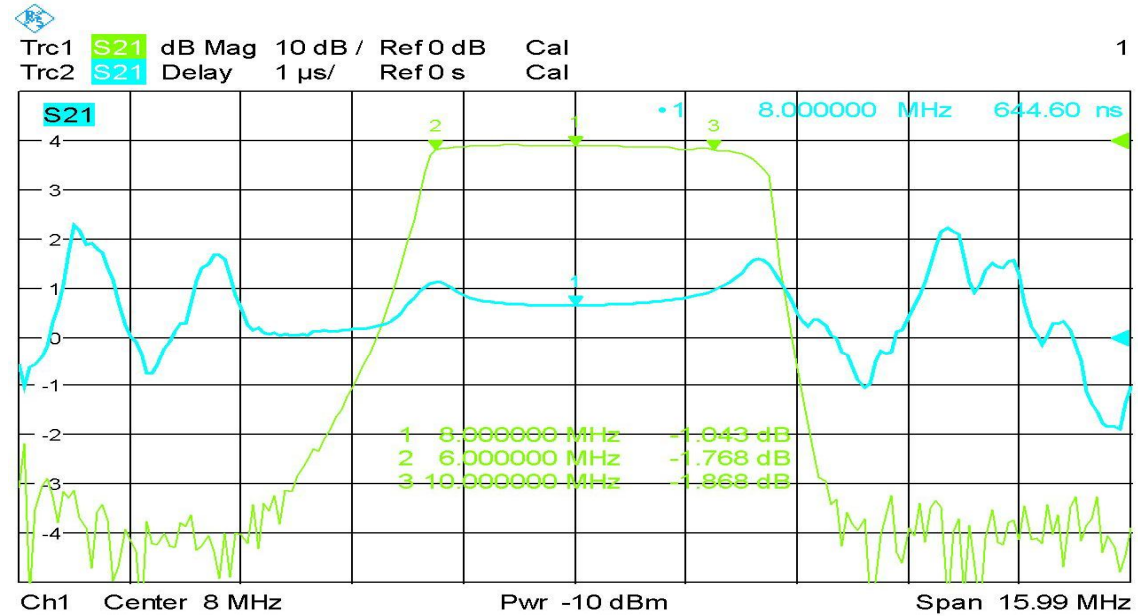


BAND PASS FILTER



Date: 27.NOV.2012 11:26:46

Group Delay:



700

Date: 27.NOV.2012 07:12:34

Andhra Electronics Pvt. Ltd.

Plot No.: 34 & 35, IDA,
Kakinada-533 005
Andhra Pradesh, India
URL: www.andhraelec.com

Phone: +91 884 234 2203
Fax: +91 884 234 1145
e-mail: info@andhraelec.com