



Preliminary Data Sheet

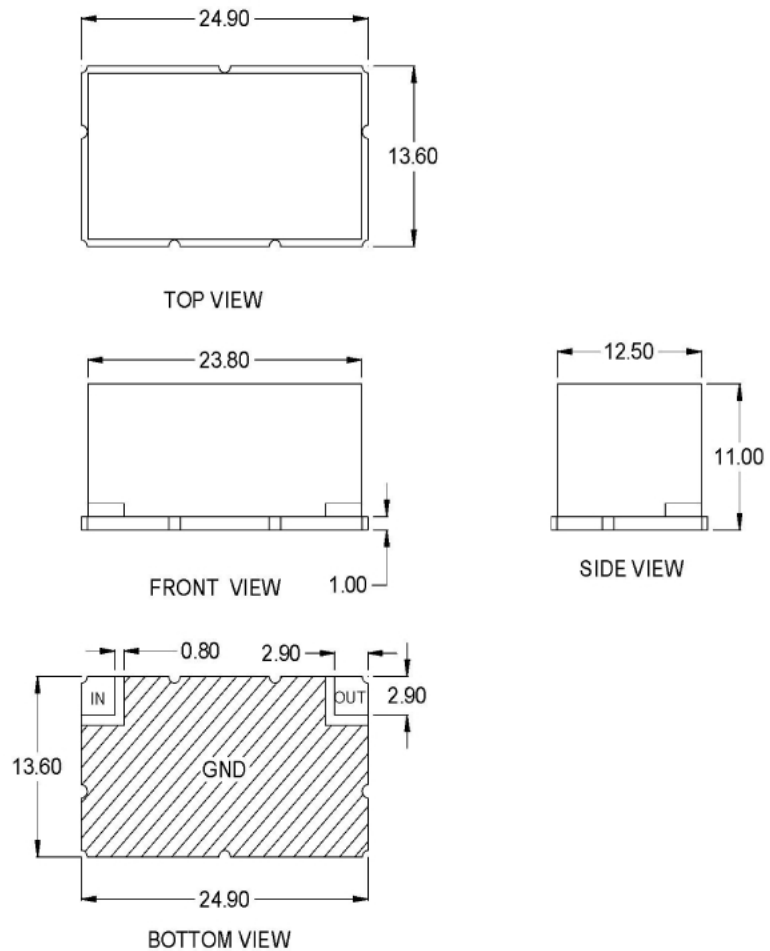
Product:-1380MHz LPF

Part. No:- AE/LC/LPFB83BIS1380M

1. Electrical Specifications

Cut off Frequency	:	1380 MHz.
Insertion loss	:	<2.5 dB
Rejection @1500-2500 MHz	:	>35 dB
Package	:	SMD
OTR	:	-40°C to +85°C
Size	:	24.90X13.60X11.00 mm (approx)

2.Mechanical Dimensions (Optional)



Andhra Electronics Pvt. Ltd.

Plot No.: 34 & 35, IDA,
Kakinada-533 005
Andhra Pradesh, India
URL: www.andhraelec.com

Phone: +91 884 234 2203
Fax: +91 884 234 1145
e-mail: info@andhraelec.com



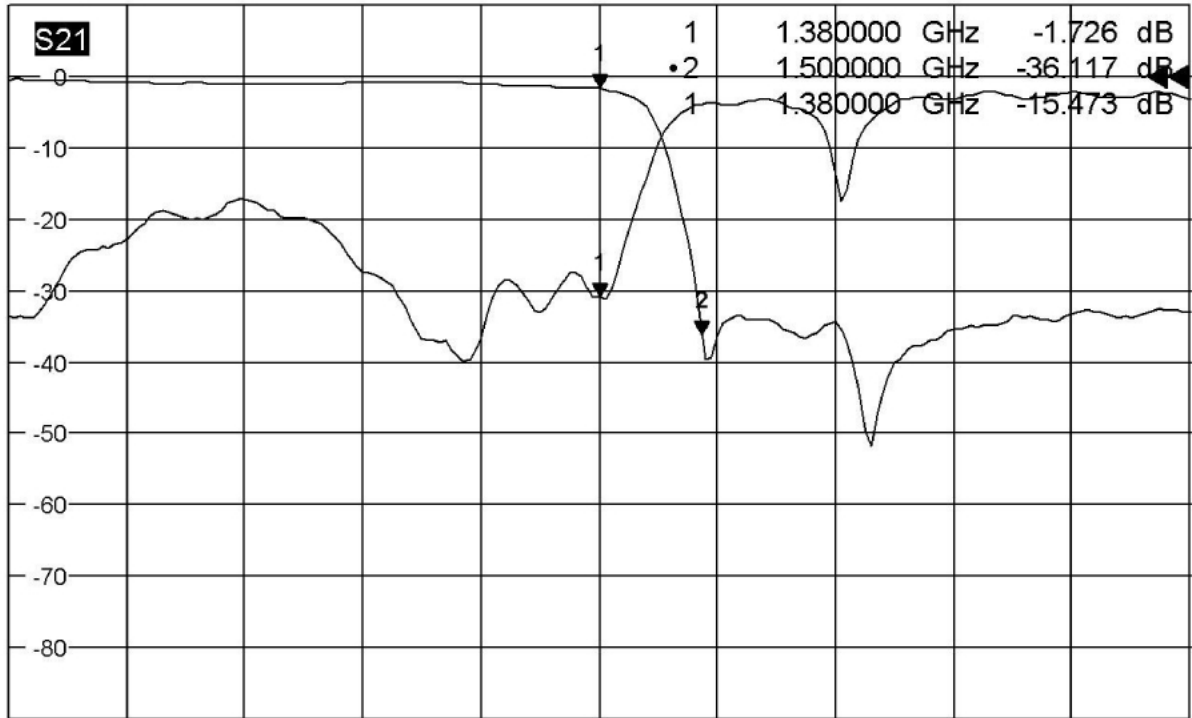
Preliminary Data Sheet

Response Plot:



Trc1 **S21** dB Mag 10 dB / Ref 0 dB Cal int
Trc2 **S11** dB Mag 5 dB / Ref 0 dB Cal int

1



Ch1 Center 1.38 GHz

Pwr -10 dBm

Span 1.38 GHz

Date: 9.JUL.2015 11:15:37

AE/PDS/048

Revision:03
Date of issue:AUG/2014

Andhra Electronics Pvt. Ltd.

Plot No.: 34 & 35, IDA,
Kakinada-533 005
Andhra Pradesh, India
URL: www.andhraelec.com

Phone: +91 884 234 2203
Fax: +91 884 234 1145
e-mail: info@andhraelec.com