



Crystal Oscillator

XO 1035

Features

- Standard DIL-14 Package
- Wide Frequency Range
- Hermetically Sealed
- RoHS Compliant

Table 1

OTR Codes	Stability Codes						
	Temperature Stability	±10 ppm	±15 ppm	±20 ppm	±25 ppm	±50 ppm	M
A	0°C to +50°C	■	■	■	■	■	■
B	0°C to +60°C	■	■	■	■	■	■
F	0°C to +70°C	■	■	■	■	■	■
D	-10°C to +60°C	■	■	■	■	■	■
E	-10°C to +70°C	■	■	■	■	■	■
C	-20°C to +70°C	■	■	■	■	■	■
G	-30°C to +80°C	■	■	■	■	■	■
H	-30°C to +85°C	■	■	■	■	■	■
I	-40°C to +85°C	■	■	■	■	■	■

■ Denotes Available □ Denotes not Available

Mechanical Specifications

Outline

Top View

Front View

Bottom View

▲ All dimensions are in mm. Tolerance is ± 0.1 mm, unless otherwise specified.

Sharp edges indicates Pin No. 1.

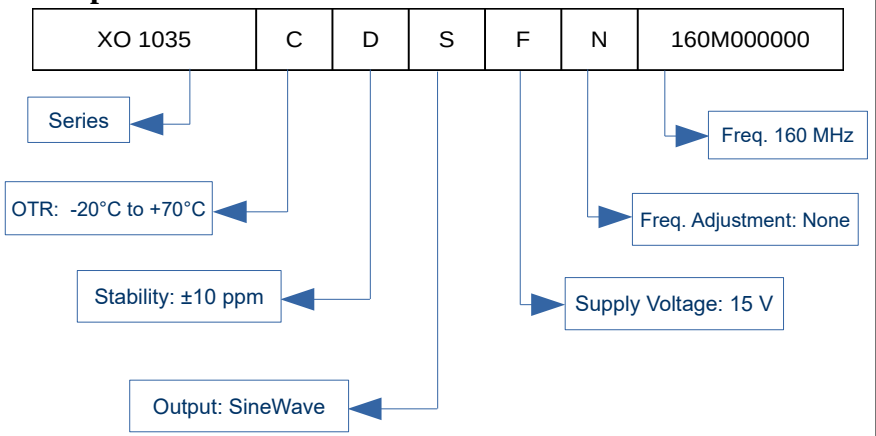
Pin Configuration:

Pin	Option N & I	Option V
1	No Connection	Control Voltage
7	Ground	Ground
8	Output	Output
14	Supply Voltage	Supply Voltage

Specifications	Option Codes	
Frequency Range:	8 MHz ~ 160 MHz	
Output Waveform:	Sine Wave	
Output Level:	+0 dBm (min.) into 50 Ω	
Harmonics:	-25 dBc (max.)	
Spurious:	-55 dBc (max.)	
Frequency Tolerance @ 25°C:	± 5 ppm (max.)	
Temperature Stability:	Select from Table 1	Specify
Operating Temperature Range:	Select from Table 1	Specify
Supply Voltage, Vdd:	+5.0 V DC (±5%) +12.0 V DC (±5%) +15.0 V DC (±5%)	5 C F
Supply Current:	20 mA (max.) (<20.0 MHz) 30 mA (max.) (20.0 ~ 60.0 MHz) 50 mA (max.) (>60 MHz)	
Frequency Adjustment Option:	±100 ppm (min.) by External Control Voltage Trim [<30 MHz] ±30 ppm (min.) by External Control Voltage Trim [>30 MHz] ±3 ppm (min.) by Internal Trimmer None (Fixed Frequency)	V V I N
Control Voltage Range:	2.5 V ± 2.5 V	
Frequency Tuning Slope:	Positive	
Aging @ 25°C:	± 2 ppm (max.) for first year	
Storage Temperature Range:	-55°C to +125°C	

Ordering Information

Example



Rev. Date: 9th April 2021

Doc. No.: AE/DS/P.O/006

ISSUE 00

REVISION 01

Page 1 of 1

Andhra Electronics Pvt. Ltd.

Plot No.: 34 & 35, IDA,

Kakinada-533 005

Andhra Pradesh, India

URL: www.andhraelec.com

Phone: +91 884 234 2203

Fax: +91 884 234 1145

e-mail: info@andhraelec.com