



Crystal Oscillator

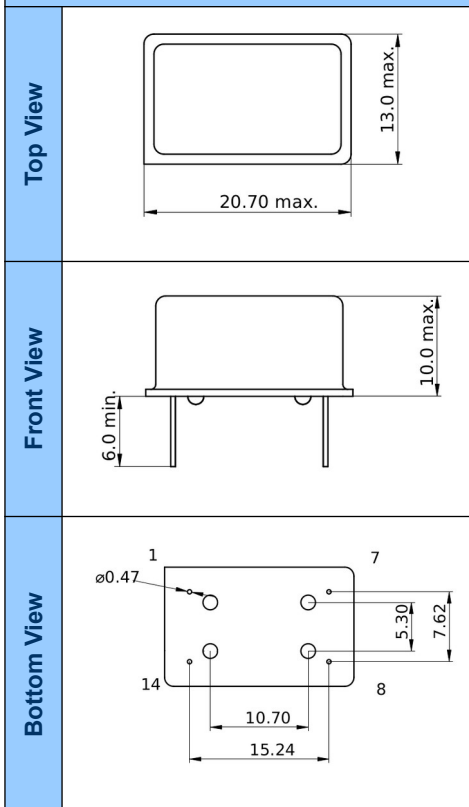
XO 1028

Features

- Standard DIL-14 Package
- RoHS Compliant

Mechanical Specifications

Outline



▲ All dimensions are in mm. Tolerance is ± 0.1 mm, unless otherwise specified.

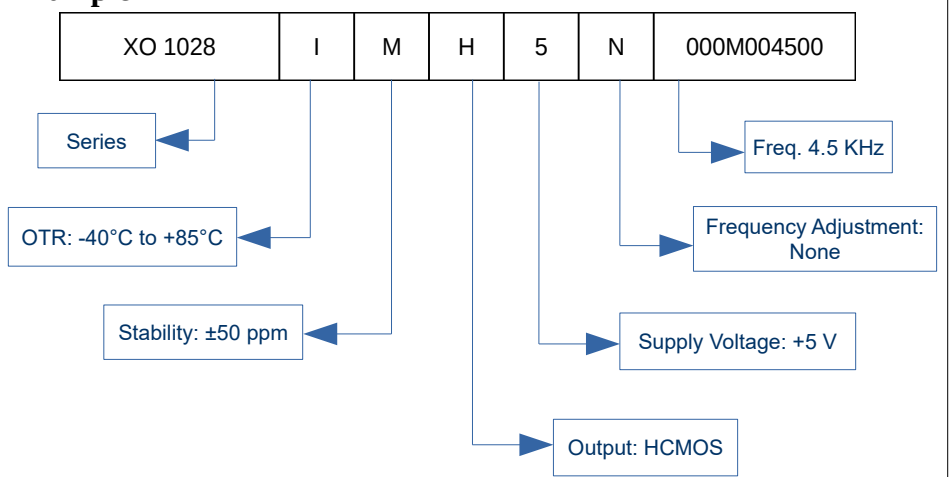
Pin Configuration:

Pin	Description
1	No Connection
7	Ground
8	Output
14	DC Input

Parameter	Specification	Option Code
Series	XO 1028	
Nominal Frequency	4.5 KHz	
Output Drive	HCMOS	H
Output Level	Logic '0' = +0.5 V (max.) Logic '1' = +4.0 V (min.)	
Rise/ Fall Time	5 ns (max.)	
Duty Cycle	40% to 60%	
Stability Vs Temperature	± 50 ppm	M
Operating Temperature Range	-40°C to +85°C	I
Supply Voltage	+5.0 V DC ($\pm 5\%$)	5
Supply Current	30 mA (max.)	
Output Current	4 mA	
Frequency Adjustment Option	None	N
Aging	± 3 ppm (max.) per Year	
Storage Temperature Range	-55°C to +125°C	

Ordering Information

Example



Rev. Date: 28th July 2021

Doc. No.: AE/DS/P.O/013

ISSUE 00

REVISION 02

Page 1 of 1

Andhra Electronics Pvt. Ltd.

Plot No.: 34 & 35, IDA,
Kakinada-533 005
Andhra Pradesh, India
URL: www.andhraelec.com

Phone: +91 884 234 2203
Fax: +91 884 234 1145
e-mail: info@andhraelec.com