



SMD Crystal Oscillator - LVPECL

XO 0630

Features

- 500 fs Integrated Phase Jitter
- Superior Phase Noise at 10 KHz and at 100 KHz offsets
- RoHS Compliant Standard

Mechanical Specifications

Outline	
Top View	
Front View	
Bottom View	
<p>All dimensions are in mm. Tolerance is ± 0.1 mm, unless otherwise specified.</p>	

Pad Configuration

Pad	Description
1	Tri-state
2	No Connection
3	Ground
4	Output
5	Complementary Output
6	Supply Voltage

Parameter	Specification	
Frequency Range	15 MHz to 200 MHz	
Supply Voltage, V_{dd}	$+3.3 \text{ V} \pm 5\%$	
Output Waveform	LVPECL	
Load	50 Ω into $V_{dd}-2 \text{ V}$	
Output High Level	Min.	Max.
	$V_{dd}-1.03 \text{ V}$	$V_{dd}-0.6 \text{ V}$
Output Low Level	Min.	Max.
	$V_{dd}-1.85 \text{ V}$	$V_{dd}-1.6 \text{ V}$
Output Voltage Swing	750 mV (typ.)	
Waveform Symmetry	45% to 55%	
Rise/ Fall Time	0.5 ns (max.) [20% and 80% of Waveform]	
Integrated Phase Jitter	0.5 ps (max.) [12 KHz~20 MHz]	
Current Consumption	50 mA (max.)	
Frequency Stability	Select from Table 1	
Operating Temperature Range (OTR)	Select from Table 1	
V Disable	0.3 V_{dd} (max.)	
V Enable	0.7 V_{dd} (min.)	
Enable Time	10 ms (max.)	
Disable Time	200 ns (max.)	
Start up Time	10 ms (max.)	
Aging @ 25°C	± 3 ppm (max.) for First Year	
Storage Temperature Range	-55°C to $+150^\circ\text{C}$	

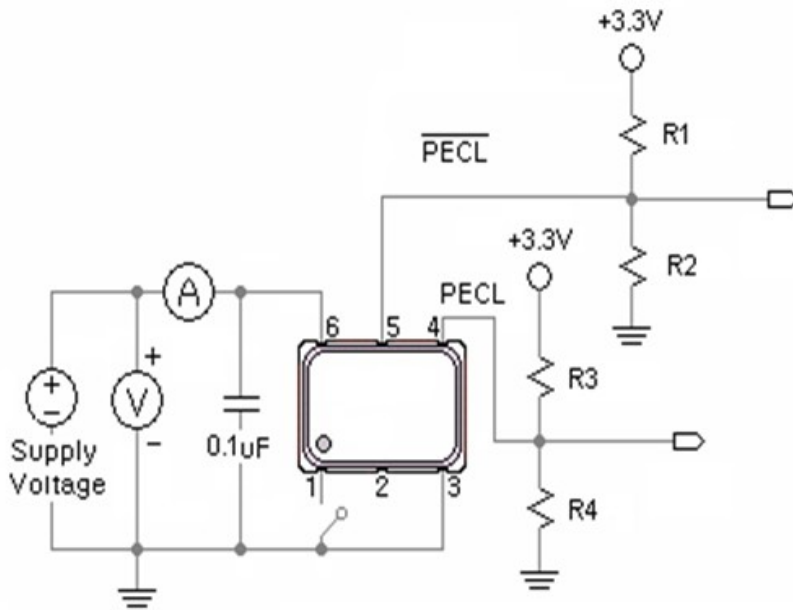
Table 1

OTR Codes	Stability Codes			
	F	G	M	K
Operating Temperature Range	Frequency Stability			
	± 20 ppm	± 25 ppm	± 50 ppm	± 100 ppm
	0°C to +70°C			
	-20°C to +70°C			
	-40°C to +85°C			

Denotes Available Denotes not Available

SMD Crystal Oscillator - LVPECL

LOAD CIRCUIT



VDD = 3.3 V : R1 = R3 = 127 Ω ; R2 = R4 = 82.5 Ω
 VDD = 2.5 V : R1 = R3 = 250 Ω ; R2 = R4 = 62.5 Ω

SSB Phase Noise [dBc/ Hz (typ.)]

Offset	62.500 MHz	156.250 MHz
10 Hz	-49	-50
100 Hz	-83	-80
1 KHz	-116	-115
10 KHz	-137	-135
100 KHz	-143	-142
1 MHz	-149	-147
10 MHz	-155	-152

Ordering Information

Example



Specifications subject to change without prior notice

Rev. Date: 8th May 2023

Note: Not all combination of options are available. Other specifications may be available upon request.

Doc. No.: AE/DS/CS/026

ISSUE 01

REVISION 00

Page 2 of 2

Andhra Electronics Pvt. Ltd.

Plot No.34 & 35, IDA,
 Kakinada-533 005
 Andhra Pradesh, India
 URL: www.andhraelec.com

Phone: +91 884 234 2203
 Fax: +91 884 234 1145
 e-mail: info@andhraelec.com