



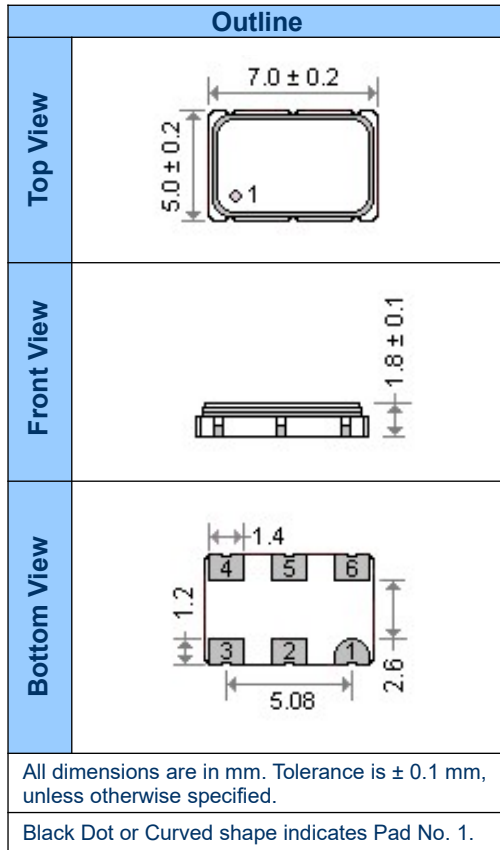
SMD Crystal Oscillator - LVDS

XO 0580

Features

- Ceramic Package
- LVDS Output
- Low Jitter
- Superior Phase Noise

Mechanical Specifications



Parameters	Specifications
Nominal Frequency	15 MHz ~ 200 MHz
Supply Voltage, Vdd	+1.8 V ±5% (Code 1) +2.5 V ±5% (Code 2) +3.3 V ±5% (Code 3)
Current Consumption	40 mA (max.)
Output Waveform	LVDS
Output Load	100 Ohms
Output High Level	1.60 Volts (max.)
Output Low Level	0.90 Volts (min.)
Differential Output (Vod)	250 mV to 450 mV
Output Offset Voltage (Vos)	1.125 Volts to 1.375 Volts
Differential Output Error	50 mV (max.)
Output Symmetry	45% to 55%
Rise/ Fall Time	1 ns (max.) [20% to 80% Output Swing Level]
Frequency Stability	Select from Table 1
Operating Temperature Range (OTR)	Select from Table 1
V Disable	0.3 Vdd (max.)
V Enable	0.7 Vdd (min.)
Start-up Time	10 ms (max.)
Integrated RMS Phase Jitter	0.5 ps (typ.) [12 KHz to 20 MHz]
Aging @ 25°C	±3 ppm (max.) per Year
Storage Temperature Range	-55°C to +125°C

Pad Configuration

Pad	Description
1	No Connection
2	Output Enable
3	Ground, Vss
4	Output
5	Complementary Output
6	Supply Voltage, Vdd

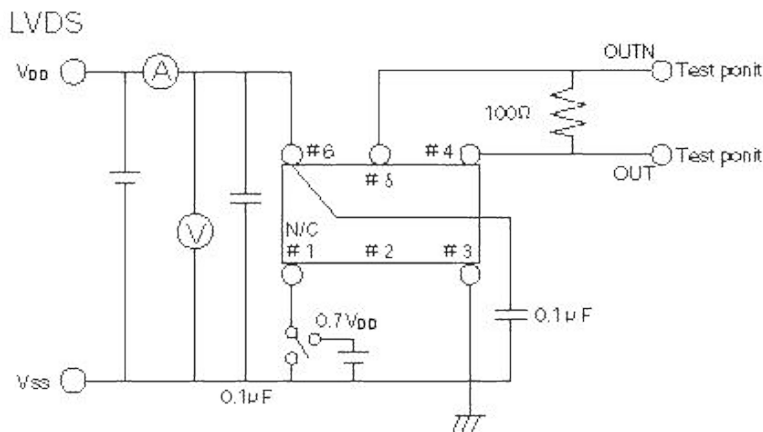
Table 1

OTR Codes	Stability Codes	Frequency Stability	F	G	H	M
			±20 ppm	±25 ppm	±30 ppm	±50 ppm
C	Operating Temperature Range	-20°C to +70°C				
I		-40°C to +85°C				

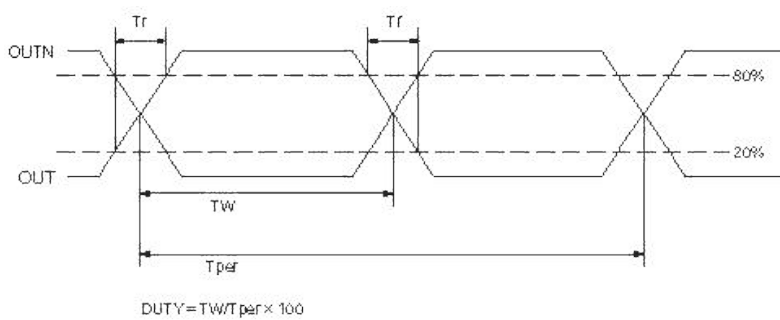
Denotes Available Denotes not Available

SMD Crystal Oscillator - LVDS

TEST CIRCUIT



Output Waveform



Ordering Information

Example

XO 0580	I	H	1	L	100M000000
---------	---	---	---	---	------------

Series

Freq. 100 MHz

OTR: -40°C to +85°C

Output: LVDS

Stability: ±30 ppm

Supply Voltage: 1.8 V

Specifications subject to change without notice

Date of Issue: 10th February 2021

Note: Not all combination of options are available. Other specifications may be available upon request.

Doc. No.: AE/DS/CS/002

ISSUE 01

REVISION 00

Page 2 of 2

Andhra Electronics Pvt. Ltd.

Plot No.: 34 & 35, IDA,
Kakinada-533 005
Andhra Pradesh, India
URL: www.andhraelec.com

Phone: +91 884 234 2203
Fax: +91 884 234 1145
e-mail: info@andhraelec.com