



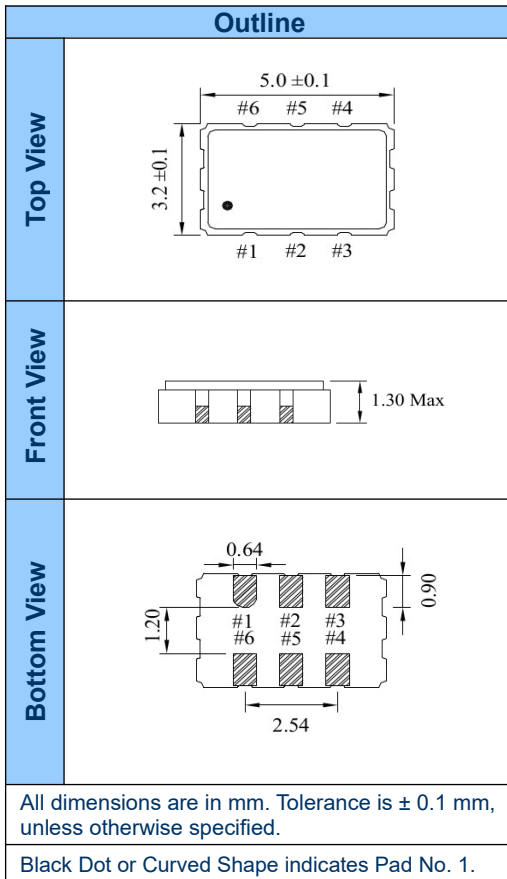
# SMD Crystal Oscillator - LVDS

## XO 0531

### Features

- Frequency 15 MHz ~ 250 MHz
- LVDS Output
- Low Jitter
- RoHS Compliant

### Mechanical Specifications



### Pad Configuration

Pad	Description
1	No Connection
2	Tristate
3	Ground
4	Output
5	Complementary Output
6	Supply Voltage

Parameters	Specifications
Frequency Range	15 MHz ~ 250 MHz
Supply Voltage, Vdd	3.3 V $\pm$ 5% (Code 3) 2.5 V $\pm$ 5% (Code 2)
Current Consumption	50 mA (max.)
Output Waveform	LVDS
Output Load	100 Ohms
Output High Level	1.60 Volts (max.)
Output Low Level	0.90 Volts (min.)
Output Voltage Swing	250 mV to 450 mV
Output Symmetry	45% to 55%
Rise/ Fall Time	0.5 ns (max.) [20% to 80% Output Swing Level]
Frequency Stability	Select from Table 1
Operating Temperature Range (OTR)	Select from Table 1
V Disable	0.3 Vdd (max.)
V Enable	0.7 Vdd (min.) or OPEN
Start up Time	10 ms (max.)
Aging @ 25°C	$\pm 5$ ppm (max.) for first Year; $\pm 3$ ppm (max.) per year thereafter
Storage Temperature Range	-40°C to +125°C

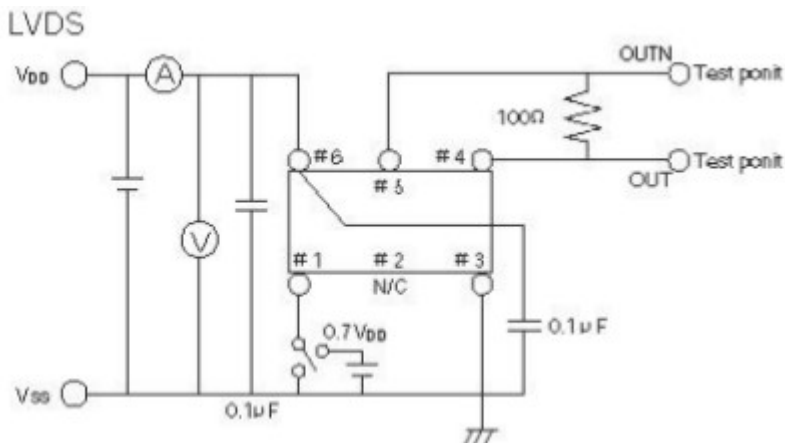
**Table 1**

OTR Codes	Stability Codes	F	G	H	M
		Frequency Stability	$\pm 20$ ppm	$\pm 25$ ppm	$\pm 30$ ppm
E	-10°C to +70°C				
C	-20°C to +70°C				
I	-40°C to +85°C				

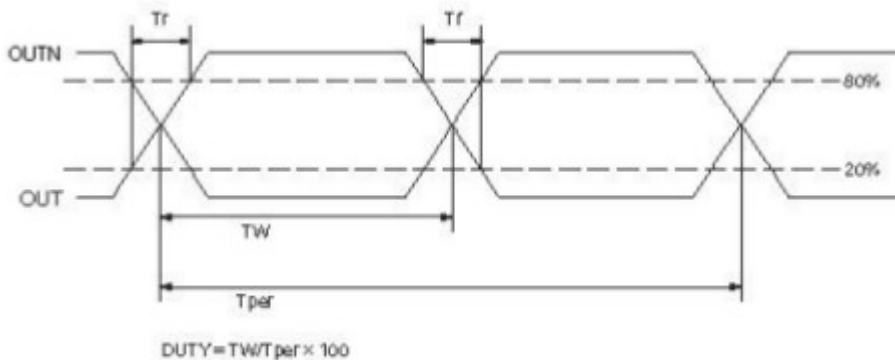
Denotes Available     Denotes not Available

# SMD Crystal Oscillator - LVDS

## TEST CIRCUIT

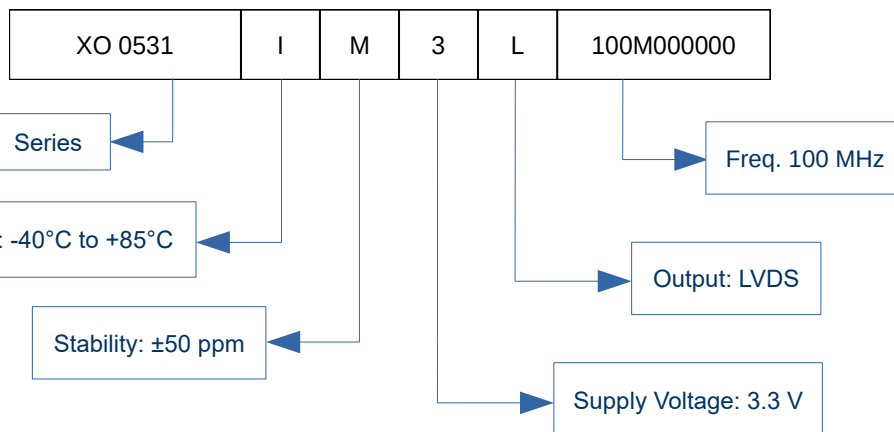


## Output Waveform



## Ordering Information

### Example



Specifications subject to change without prior notice

Rev. Date: 8<sup>th</sup> March 2022

Note: Not all combination of options are available. Other specifications may be available upon request.

Doc. No.: AE/DS/CS/015

ISSUE 01

REVISION 00

Page 2 of 2

Andhra Electronics Pvt. Ltd.

Plot No.: 34 & 35, IDA,  
Kakinada-533 005  
Andhra Pradesh, India  
URL: [www.andhraelec.com](http://www.andhraelec.com)

Phone: +91 884 234 2203  
Fax: +91 884 234 1145  
e-mail: [info@andhraelec.com](mailto:info@andhraelec.com)