



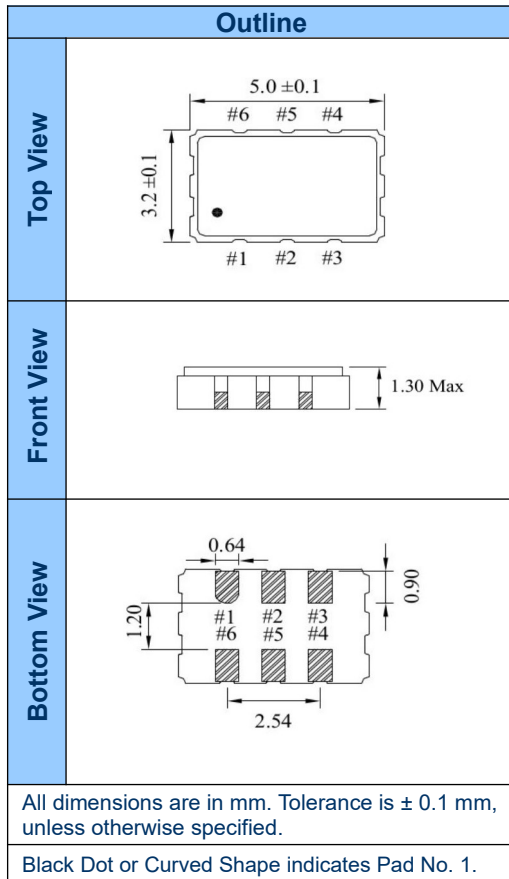
SMD Crystal Oscillator - LVDS

XO 0530

Features

- Frequency 15 MHz ~ 250 MHz
- LVDS Output
- Low Jitter
- RoHS Compliant

Mechanical Specifications



Pad Configuration

Pad	Description
1	Tristate
2	No Connection
3	Ground
4	Output
5	Complementary Output
6	Supply Voltage

Parameters	Specifications
Frequency Range	15 MHz ~ 250 MHz
Supply Voltage, Vdd	1.8 V \pm 5% (code 1) 2.5 V \pm 5% (code 2) 3.3 V \pm 5% (code 3) +2.25 V ~ +3.63 V (code 6)
Current Consumption	50 mA (max.)
Output Waveform	LVDS
Output Load	100 Ohms
Output High Level	1.60 Volts (max.)
Output Low Level	0.90 Volts (min.)
Output Voltage Swing	250 mV to 450 mV
Output Symmetry	45% to 55%
Rise/ Fall Time	0.5 ns (max.) [20% to 80% Output Swing Level]
Frequency Stability	Select from Table 1
Operating Temperature Range (OTR)	Select from Table 1
V Disable	0.3 Vdd (max.)
V Enable	0.7 Vdd (min.) or OPEN
Start up Time	10 ms (max.)
Aging @ 25°C	± 5 ppm (max.) for first Year; ± 3 ppm (max.) per year thereafter
Storage Temperature Range	-40°C to +125°C

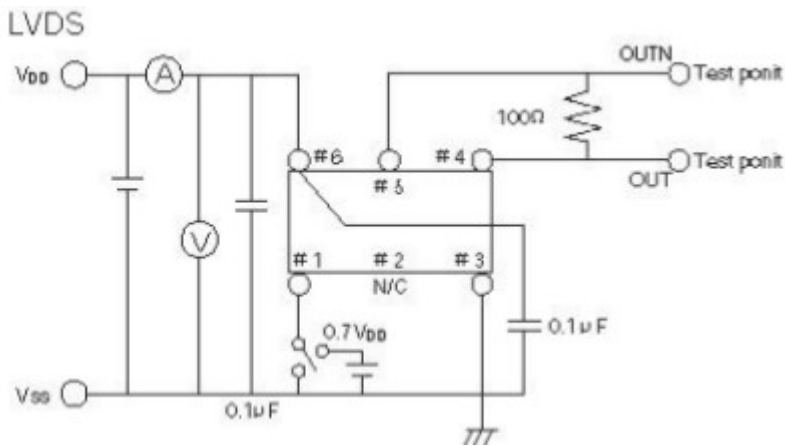
Table 1

OTR Codes	Stability Codes	F	G	H	M
		Frequency Stability	± 20 ppm	± 25 ppm	± 30 ppm
E	Operating Temperature Range	-10°C to +70°C			
C		-20°C to +70°C			
I		-40°C to +85°C			

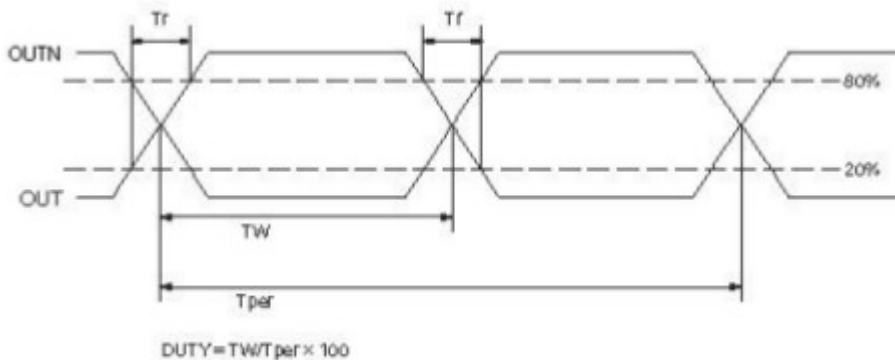
Denotes Available Denotes not Available

SMD Crystal Oscillator - LVDS

TEST CIRCUIT



Output Waveform



Ordering Information

Example

XO 0530 I M 3 L 100M000000

Series

OTR: -40°C to +85°C

Stability: ±50 ppm

Freq. 100 MHz

Output: LVDS

Supply Voltage: 3.3 V

Specifications subject to change without notice

Date of Issue: 26th December 2025

Note: Not all combination of options are available. Other specifications may be available upon request.

Doc. No.: AE/DS/CS/007

ISSUE 01

REVISION 03

Page 2 of 2

Andhra Electronics Pvt. Ltd.

Plot no. 34 & 35, IDA,
Kakinada-533 005
Andhra Pradesh, India
URL: www.andhraelec.com

Phone: +91 884 234 2203
Fax: +91 884 234 1145
e-mail: info@andhraelec.com