



SMD Crystal Oscillator - LVDS

XO 0320

Features

- Frequency 15 MHz ~ 200 MHz
- LVDS Output
- Low Jitter
- RoHS Compliant

Mechanical Specifications

Outline	
Top View	
Front View	
Bottom View	
<p>All dimensions are in mm. Tolerance is ± 0.1 mm, unless otherwise specified.</p> <p>Black Dot or Sharp edge indicates Pad No. 1.</p>	

Parameters	Specifications
Frequency Range	15 MHz ~ 200 MHz
Supply Voltage, Vdd	2.5 V \pm 5% (Code 2) 3.3 V \pm 5% (Code 3)
Current Consumption	50 mA (max.)
Output Waveform	LVDS
Output Load	100 Ohms between Output and Complimentary Output
Output High Level	1.60 Volts (max.)
Output Low Level	0.90 Volts (min.)
Output Voltage Swing	250 mV to 450 mV
Output Symmetry	45% to 55%
Rise/ Fall Time	0.4 ns (max.) [20% to 80% Output Swing Level]
Frequency Stability	Select from Table 1
Operating Temperature Range (OTR)	Select from Table 1
V Disable	0.3 Vdd (max.)
V Enable	0.7 Vdd (min.) or OPEN
Start-up Time	10 ms (max.)
Integrated Phase Jitter	0.5 ps (max.) [12 KHz to 20 MHz]
Aging @ 25°C	± 3 ppm (max.) for first Year; ± 2 ppm (max.) per year thereafter
Storage Temperature Range	-55°C to +125°C

Pad Configuration

Pad	Description
1	Tristate
2	No Connection
3	Ground
4	Output
5	Complementary Output
6	Supply Voltage, Vdd

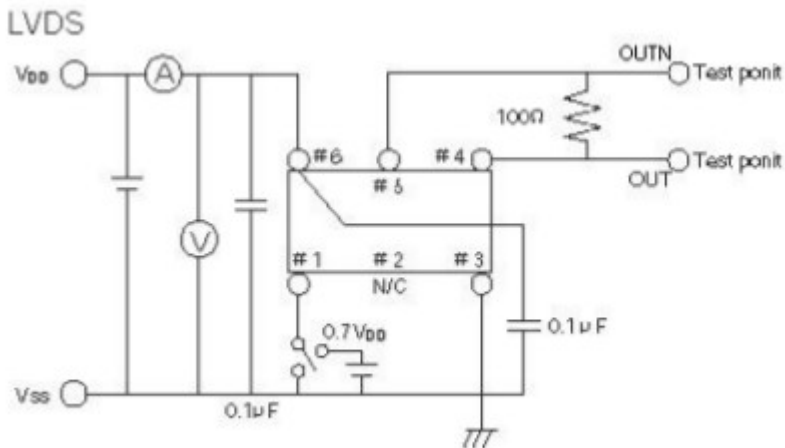
Table 1

OTR Codes	Stability Codes	F	G	H	M
		± 20 ppm	± 25 ppm	± 30 ppm	± 50 ppm
E	Operating Temperature Range	-10°C to +70°C			
C		-20°C to +70°C			
I		-40°C to +85°C			

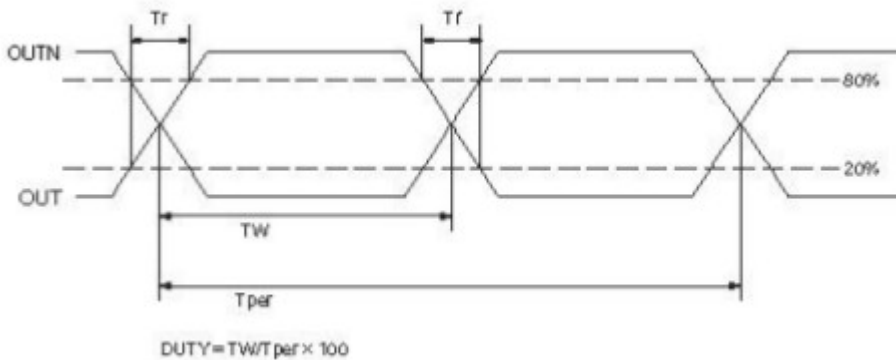
Denotes Available Denotes not Available

SMD Crystal Oscillator - LVDS

TEST CIRCUIT

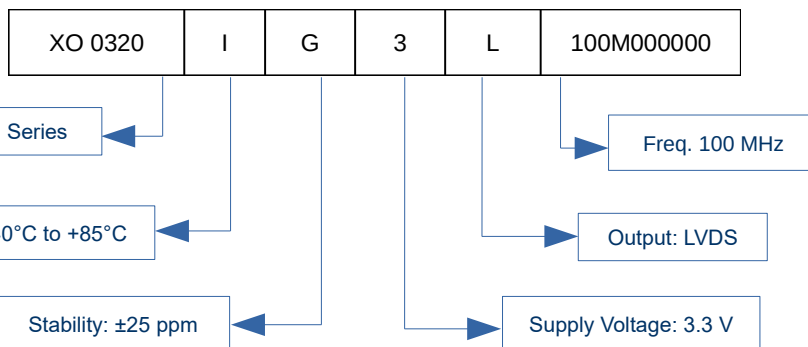


Output Waveform



Ordering Information

Example



Specifications subject to change without notice

Date of Issue: 16th February 2021

Note: Not all combination of options are available. Other specifications may be available upon request.

Doc. No.: AE/DS/CS/008

ISSUE 01

REVISION 00

Page 2 of 2

Andhra Electronics Pvt. Ltd.

Plot No.: 34 & 35, IDA,
Kakinada-533 005
Andhra Pradesh, India
URL: www.andhraelec.com

Phone: +91 884 234 2203
Fax: +91 884 234 1145
e-mail: info@andhraelec.com