



SMD Voltage Controlled Crystal Oscillator

VCXO 7050

Features

- Ceramic SMD Package
- HCMOS Output
- RoHS compliant

Specifications	Option Codes
Frequency Range:	1.25 MHz ~ 100 MHz
Output Waveform:	HCMOS Compatible
Output Load:	15 pF \pm 5%
Output Low Voltage:	0.33 V (max.)
Output High Voltage:	2.97 V (min.)
Rise/ Fall Time:	6 ns (max.) [10% to 90% of the waveform]
Duty Cycle:	40% to 60%
Start-up Time:	10 ms (max.)
Supply Voltage, Vdd:	+ 3.3 V \pm 5%
Supply Current:	45 mA (max.)
Frequency Tolerance @ 25°C:	with Control Voltage of 1.65 V \pm 0.2 V
Frequency Stability:	Select from Table 1
Operating Temperature Range (OTR):	Select from Table 1
Frequency Adjustment:	External Control Voltage
Control Voltage Range:	1.65 V \pm 1.35 V
Frequency Pulling Range:	\pm 80 ppm (min.)
Transfer Function:	Monotonic and Positive
Linearity:	10% (max.)
Input Impedance:	5 M Ω (typ.)
Modulation Bandwidth:	10 KHz (min.), measured at -3 dB
Enable Voltage:	0.7 Vdd (min.)
Disable Voltage:	0.3 Vdd (max.)
Integrated Phase Jitter:	1 ps (max.) [12 KHz to 20 MHz]
Aging @ 25°C:	\pm 3 ppm (max.) per Year

SMD Voltage Controlled Crystal Oscillator

Mechanical Specifications

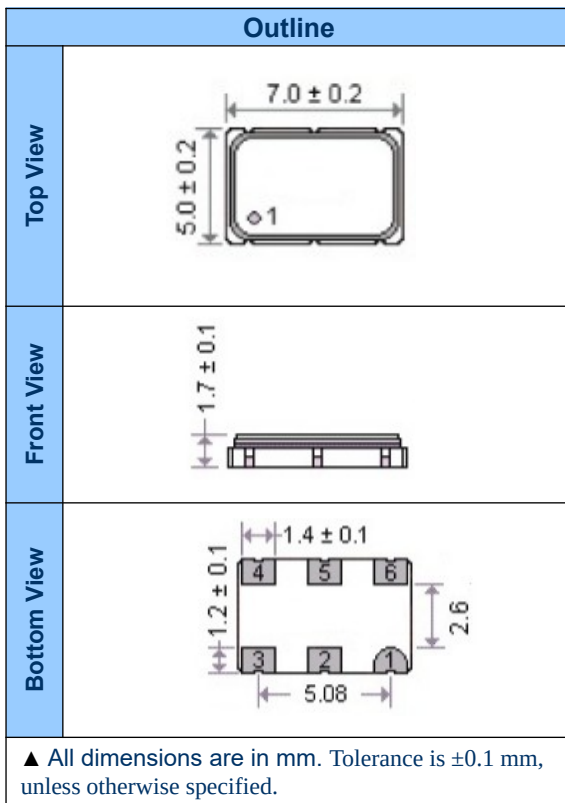


Table 1

OTR Codes	Stability Codes			
	F	G	H	M
E	± 20 ppm	± 25 ppm	± 30 ppm	± 50 ppm
C				
G				
I				

Denotes Available Denotes not Available

SSB Phase Noise @ 27 MHz

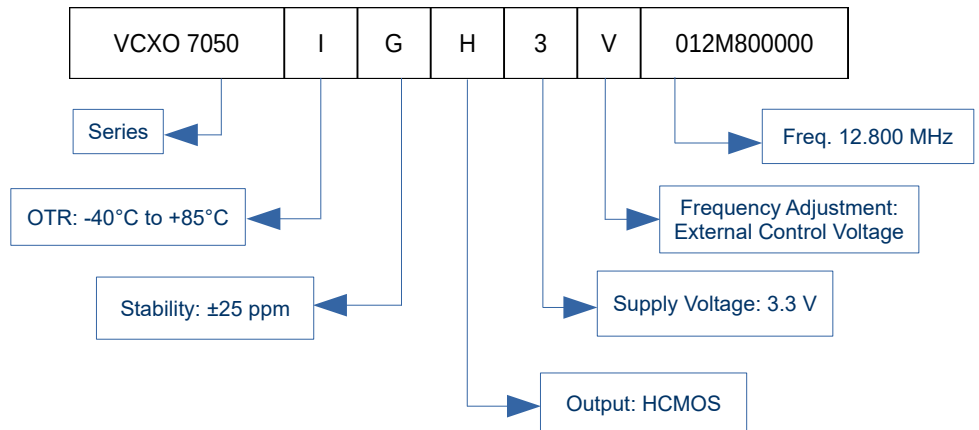
100 Hz offset	-100 dBc/Hz
1 KHz offset	-130 dBc/Hz
10 KHz offset	-145 dBc/Hz
100 KHz offset	-150 dBc/Hz
1 MHz offset	-150 dBc/Hz

Pad Configuration:

Pad	Description
1	Control Voltage
2	Output Enable
3	Ground
4	Output
5	No Connection
6	Supply Voltage

Ordering Information

Example



Specifications subject to change without notice

Date of Issue: 25th February 2023

Note: Not all combination of options are available. Other specifications may be available upon request.

Doc. No.: AE/DS/PS/004

ISSUE 01

REVISION 01

Page 2 of 2

Andhra Electronics Pvt. Ltd.

Plot no.34 & 35, IDA,
Kakinada-533 005
Andhra Pradesh, India
URL: www.andhraelec.com

Phone: +91 884 234 2203
Fax: +91 884 234 1145
e-mail: info@andhraelec.com