



Quartz Crystal

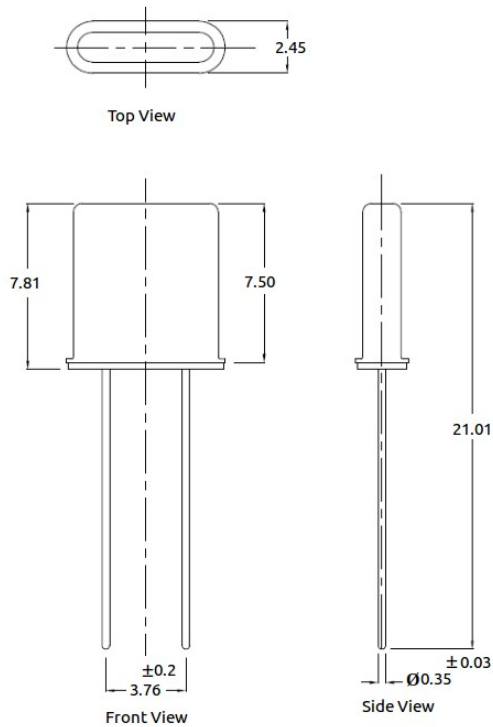
UM-1 SLIM

Features

- All metal welded package
- 7.500 MHz ~ 170 MHz
- RoHS Compliant

Mechanical Specifications

Outline



▲ All dimensions are in mm. Tolerance is ± 0.1 mm, unless otherwise specified.

Table 1: General Specifications

Frequency Range	7.500 MHz ~ 170 MHz
Frequency Tolerance @ 25°C	Select from Table 4
Operating Temperature Range (OTR)	Select from Table 4
Temperature Stability	Select from Table 4
Equivalent Series Resistance (ESR)	As per Table 3
Drive Level	100 μ Watts (typical)
Shunt Capacitance, C_0	7.0 pF (max.)
Resonance Condition	XXS – Series, XXP – Parallel with xx pF (for parallel, please specify the xx value in pF)
Aging @ 25°C	± 3 ppm (max.)/ Year

Table 2: Frequency Range By Mode of Oscillation

Fundamental	3rd Overtone	5th Overtone
7.5 to 41.0 MHz	20 to 85 MHz	60 to 170 MHz

Table 3: Max. ESR

Frequency Range (MHz)	ESR	Frequency Range (MHz)	ESR
Fundamental		3rd Overtone	
7.5 to ≤ 10.0	50 Ω	20.0 to ≤ 30.0	45 Ω
10.0 to ≤ 13.0	40 Ω	30.0 to ≤ 85.0	30 Ω
13.0 to ≤ 18.0	25 Ω	5th Overtone	
18.0 to ≤ 25.0	20 Ω	60.0 to ≤ 100.0	70 Ω
25.0 to ≤ 41.0	15 Ω	100.0 to ≤ 140.0	80 Ω
		140.0 to ≤ 170.0	100 Ω

Quartz Crystal

Table 4: Operating Temperature Range and Frequency Tolerance/ Temperature Stability

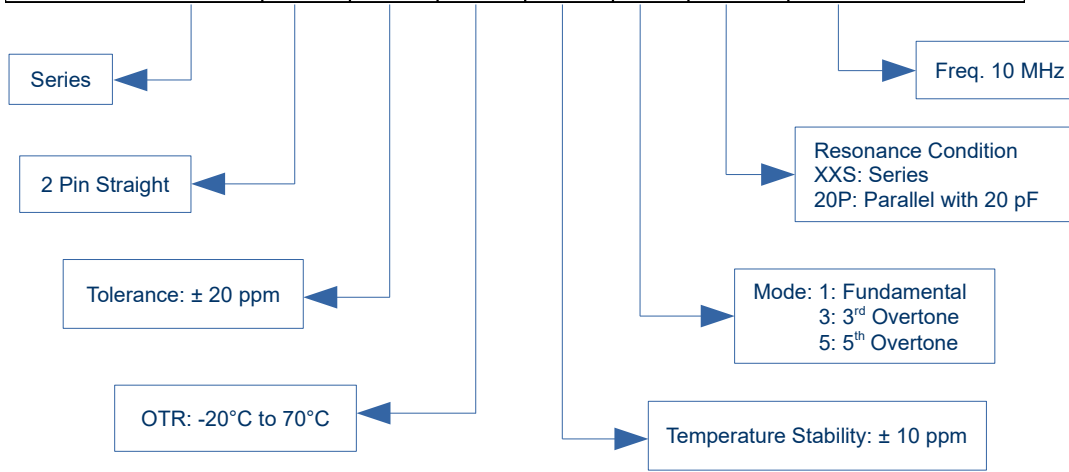
OTR Codes	Stability Codes		B	D	E	F	G	M	K
	Temperature Stability		± 5 ppm	± 10 ppm	± 15 ppm	± 20 ppm	± 25 ppm	± 50 ppm	± 100 ppm
A	Operating Temperature Range	0°C to +50°C							
B		0°C to +60°C							
F		0°C to +70°C							
D		-10°C to +60°C							
E		-10°C to +70°C							
C		-20°C to +70°C							
G		-30°C to +80°C							
H		-30°C to +85°C							
I		-40°C to +85°C							
J		-40°C to +90°C							
K		-55°C to +105°C							
L		-55°C to +125°C							

 Denotes Available  Denotes not Available

Ordering Information

Example

UM1 SLIM	2	F	C	D	1	20P	010M000000
----------	---	---	---	---	---	-----	------------



Specifications subject to change without notice

Rev. Date: 1st July 2021

Note: Not all combination of options are available. Other specifications may be available upon request.

Doc. No.: AE/DS/XTAL/012

ISSUE 01

REVISION 00

Page 2 of 2

Andhra Electronics Pvt. Ltd.

Plot No.: 34 & 35, IDA,
Kakinada-533 005
Andhra Pradesh, India
URL: www.andhraelec.com

Phone: +91 884 234 2203
Fax: +91 884 234 1145
e-mail: info@andhraelec.com