



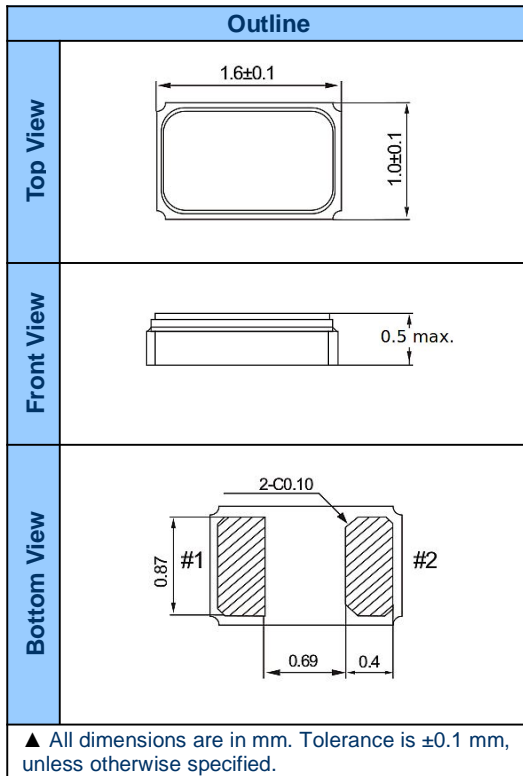
Surface Mount Tuning Fork Crystal

1610

Features

- Ultra small size 1.6 x 1.0 x 0.5 mm³
- High reliability environmental performance
- RoHS Compliant

Mechanical Specifications



Parameters	Specifications
Nominal Frequency	32.768 KHz
Load Capacitance, C _L	12.5 pF
Frequency Tolerance @ 25°C	± 20 ppm (max.)
Operating Temperature Range (OTR)	-40°C to +85°C
Turnover Temperature	25°C ± 5°C
Equivalent Series Resistance (ESR)	90 kΩ (max.)
Drive Level	0.1 μW (typ.)
	0.5 μW (max.)
Shunt Capacitance, C ₀	1.2 pF (typ.)
Insulation Resistance	More than 500 MΩ at 100 V _{dc}
Storage Temperature Range	-55°C to +125°C
Aging @ 25°C	±3 ppm (max.) per year

Ordering Information

Example

1610	F	I	N	1	12P	032K768000
------	---	---	---	---	-----	------------

