



SMD Temperature Compensated Crystal Oscillator

TCXO 7057

Features

- Metal Package
- Wide Temperature Range
- RoHS Compliant

Specifications		Option Codes
Frequency Range:		10 MHz ~ 50 MHz
Clipped Sine Wave	Output Level:	0.8 Volts [Peak-to-Peak] (min.)
	Load:	10 K Ω // 10 pF \pm 5%
HCMOS	V _{High} :	2.4 V (min.)
	V _{Low} :	0.4 V (max.)
	Duty Cycle:	45% to 55%
	Rise/ Fall Time:	6 ns (max.)
	Load:	15 pF \pm 5%
Supply Voltage:		+3.3 V \pm 5% +5.0 V \pm 5%
Current Consumption:		6 mA (max.)
Supply Voltage Stability:		\pm 0.1 ppm (max.)
Load Stability:		\pm 0.2 ppm (max.)
Frequency Tolerance @ 25°C:		\pm 1 ppm (max.)
Operating Temperature Range and Temperature Stability:		Select from Table 1
Frequency Adjustment Option:		External Control Voltage None (Fixed Frequency)
Control Voltage Range:		1.5 V \pm 1.0 V
Frequency Tuning Range:		\pm 5 ppm (min.)
Frequency Tuning Slope:		Positive
Linearity:		10% (max.)
RMS Jitter:		1.3 ps (max.) [12 KHz ~ 5 MHz]
Aging @ +25°C:		\pm 1 ppm (max.) per year
Storage Temperature Range:		-55°C to +125°C



SMD Temperature Compensated Crystal Oscillator

Mechanical Specifications

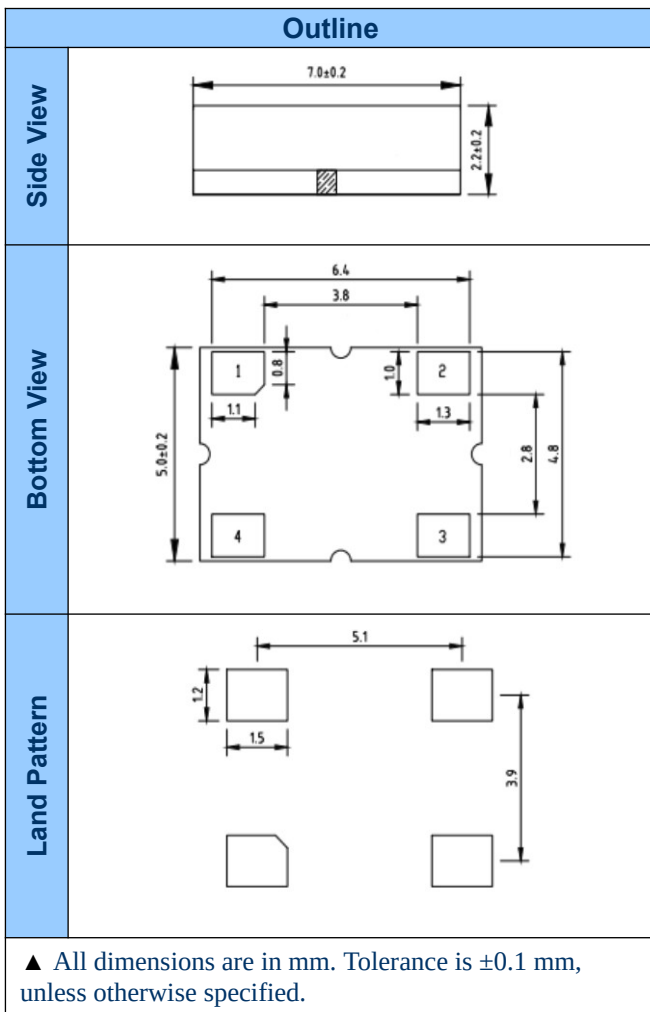


Table 1

OTR Codes	Stability Codes			X	Y	Z
	Temperature Stability			± 0.5 ppm	± 1 ppm	± 1.5 ppm
C	Operating Temperature Range (OTR)	-20°C to +70°C				
G		-30°C to +80°C				
I		-40°C to +85°C				

Denotes Available Denotes not Available

Table 2

Typical SSB Phase Noise @ 10 MHz

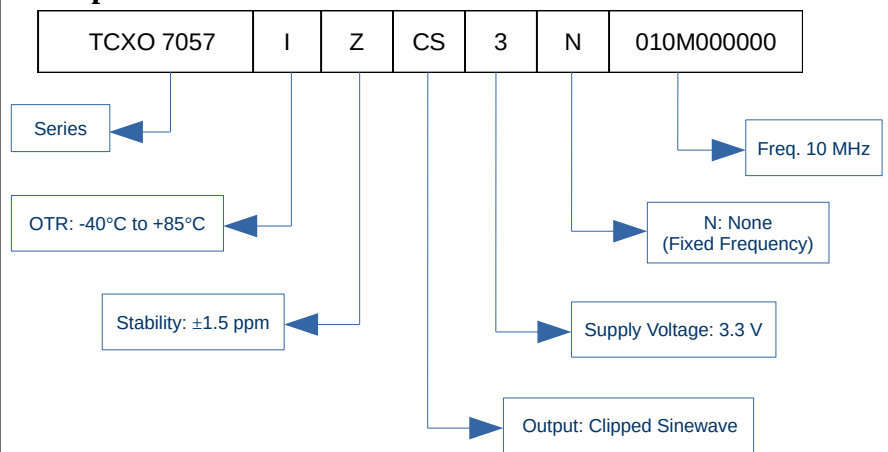
10 Hz offset	-95 dBc/ Hz
100 Hz offset	-120 dBc/ Hz
1 KHz offset	-140 dBc/ Hz
10 KHz offset	-145 dBc/ Hz
100 KHz offset	-150 dBc/ Hz

Pad Configuration:

Pad	Option N	Option V
1	No Connection	Control Voltage
2	Ground	Ground
3	Output	Output
4	Supply Voltage	Supply Voltage

Ordering Information

Example



Specifications subject to change without prior notice

Note: Not all combination of options are available. Other specifications may be available upon request.

Doc. No.: AE/DS/PS/045

ISSUE 01

Rev. Date: 5th January 2022

REVISION 00

Page 1 of 2

Andhra Electronics Pvt. Ltd.

Plot No.: 34 & 35, IDA,
Kakinada-533 005
Andhra Pradesh, India
URL: www.andhraelec.com

Phone: +91 884 234 2203
Fax: +91 884 234 1145
e-mail: info@andhraelec.com