



# Temperature Compensated Crystal Oscillator

## TCXO 1070

### Features

- Wide Frequency Range
- Custom Options available
- RoHS Compliant

Specifications	Variant			Option Codes
	H	T	S	
Series: TCXO 1070	<input checked="" type="checkbox"/>	<input type="checkbox"/>	<input checked="" type="checkbox"/>	
Nominal Frequency Range: 1 MHz ~ 150 MHz 5 MHz ~ 400 MHz	<input checked="" type="checkbox"/>	<input type="checkbox"/>	<input checked="" type="checkbox"/>	
Output Drive: 15 pF, HCMOS/ TTL SineWave Others	<input checked="" type="checkbox"/>	<input checked="" type="checkbox"/>	<input checked="" type="checkbox"/>	Specify
Output Levels: Logic '0' = +0.5 V (max.), '1' = +4.0 V (min.) Logic '0' = +0.4 V (max.), '1' = +2.4 V (min.) + 0 dBm (min.) into 50 Ω	<input checked="" type="checkbox"/>	<input checked="" type="checkbox"/>	<input checked="" type="checkbox"/>	
Rise/ Fall Time: 10 ns (max.)	<input checked="" type="checkbox"/>	<input checked="" type="checkbox"/>	<input type="checkbox"/>	
Waveform Symmetry: 40:60 (max.) @ 2.5 V 40:60 (max.) @ 1.4 V	<input checked="" type="checkbox"/>	<input checked="" type="checkbox"/>	<input type="checkbox"/>	
Frequency Accuracy: ±1 ppm (max.) at 25°C ± 2°C	<input checked="" type="checkbox"/>	<input checked="" type="checkbox"/>	<input checked="" type="checkbox"/>	
Temperature Stability: Select from Table 1	<input type="checkbox"/>	<input type="checkbox"/>	<input type="checkbox"/>	Specify
Operating Temperature Range (OTR): Select from Table 1	<input type="checkbox"/>	<input type="checkbox"/>	<input type="checkbox"/>	Specify
Supply Voltage, V <sub>dd</sub> : Select from Table 2 +5.0 V (± 5%) +12.0 V (± 5%) +15.0 V (± 5%) Others	<input checked="" type="checkbox"/>	<input checked="" type="checkbox"/>	<input type="checkbox"/>	5 C F Specify
Supply Current: 20 mA (max.) (<20.0 MHz) 30 mA (max.) (20.0 ~ 50.0 MHz) 50 mA (max.) (>50 MHz)	<input checked="" type="checkbox"/>	<input checked="" type="checkbox"/>	<input checked="" type="checkbox"/>	
Supply Voltage Stability: ±0.1 ppm (max.)	<input checked="" type="checkbox"/>	<input checked="" type="checkbox"/>	<input checked="" type="checkbox"/>	
Frequency Adjustment Option: External Control Voltage (0.5 V <sub>dd</sub> ± 0.5 V <sub>dd</sub> ) Internal Trimmer None	<input checked="" type="checkbox"/>	<input checked="" type="checkbox"/>	<input checked="" type="checkbox"/>	V I N
Aging: ± 1 ppm (max.) for First Year	<input checked="" type="checkbox"/>	<input checked="" type="checkbox"/>	<input checked="" type="checkbox"/>	
Storage Temperature Range: -55°C to +125°C	<input checked="" type="checkbox"/>	<input checked="" type="checkbox"/>	<input checked="" type="checkbox"/>	

Standard,  Optional – please specify required codes when ordering.

Doc. No.: AE/DS/P.O/007

ISSUE 00

REVISION 01

Page 1 of 2

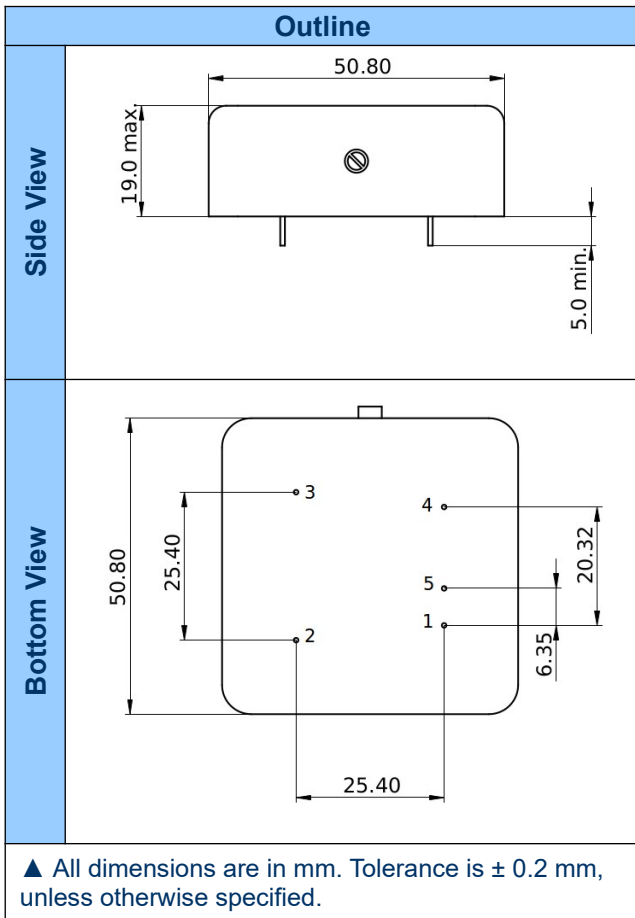
Andhra Electronics Pvt. Ltd.

Plot No.: 34 & 35, IDA,  
Kakinada-533 005  
Andhra Pradesh, India  
URL: [www.andhraelec.com](http://www.andhraelec.com)

Phone: +91 884 234 2203  
Fax: +91 884 234 1145  
e-mail: [info@andhraelec.com](mailto:info@andhraelec.com)

# Temperature Compensated Crystal Oscillator

## Mechanical Specifications



**Table 1**

OTR Codes	Stability Codes	X	Y	Z	P
	Temperature Stability	$\pm 0.5$ ppm	$\pm 1$ ppm	$\pm 1.5$ ppm	$\pm 2$ ppm
A	Operating Temperature Range	0°C to +50°C			
B		0°C to +60°C			
F		0°C to +70°C			
D		-10°C to +60°C			
E		-10°C to +70°C			
C		-20°C to +70°C			
G		-30°C to +80°C			
H		-30°C to +85°C			
I		-40°C to +85°C			

■ Denotes Available □ Denotes not Available

**Table 2**

Supply Voltage	5 V	10 V	12 V	15 V
Code	5	A	C	F

## Pin Configuration

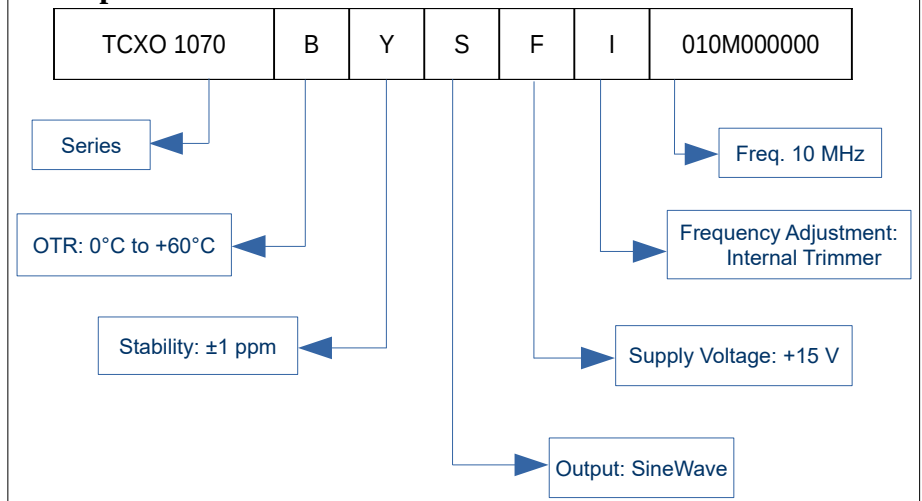
Pin	Option N & I	Option V
1	Output	Output
2	DC Input	DC Input
3	Ground	Ground
4	Ground	Control Voltage
5	Ground	Ground

## Typical SSB Phase Noise:

@ 10 Hz	-65 dBc/ Hz
@ 100 Hz	-100 dBc/ Hz
@ 1 KHz	-125 dBc/ Hz
@ 10 KHz	-130 dBc/ Hz

## Ordering Information

### Example



Specifications subject to change without notice

Rev. Date: 27<sup>th</sup> July 2021

Note: Not all combination of options are available. Other specifications may be available upon request.

Doc. No.: AE/DS/P.O/007

ISSUE 00

REVISION 01

Page 2 of 2

Andhra Electronics Pvt. Ltd.

Plot No.: 34 & 35, IDA,  
Kakinada-533 005  
Andhra Pradesh, India  
URL: [www.andhraelec.com](http://www.andhraelec.com)

Phone: +91 884 234 2203  
Fax: +91 884 234 1145  
e-mail: [info@andhraelec.com](mailto:info@andhraelec.com)