



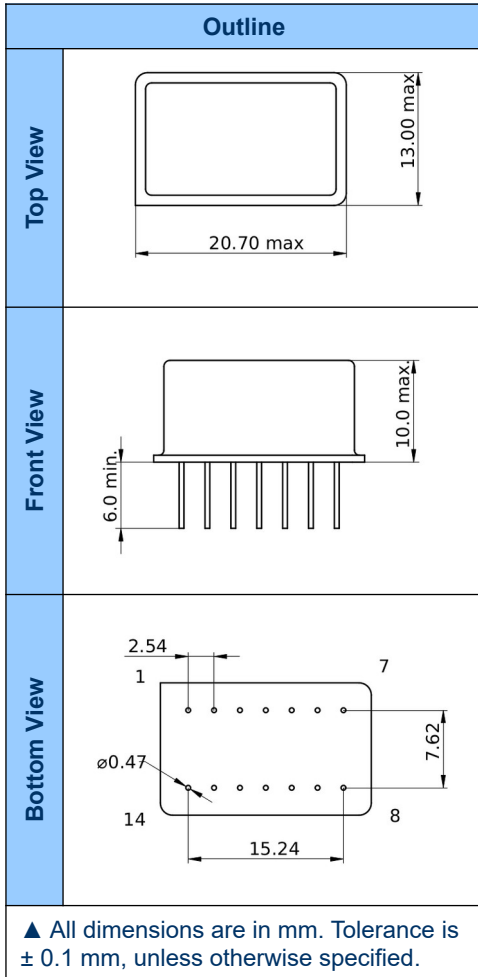
Temperature Compensated Crystal Oscillator

TCXO 1027

Features

- All 14-Pin DIL-14 Package
- Hermetically Sealed

Mechanical Specifications



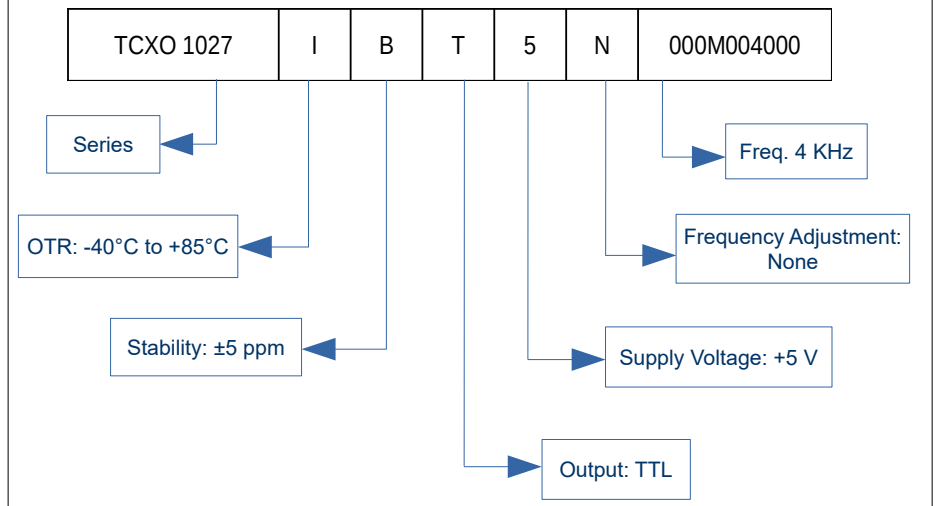
Pin Configuration:

Pin	Description
1	No Connection
7	Ground
8	Output
14	Supply Voltage

Parameter	Specification	Option Code
Series	TCXO 1027	
Nominal Frequency	4.0 KHz	
Output Drive	TTL	T
Output Level	Logic '0' = +0.5 V (max.) Logic '1' = +4.0 V (min.)	
Rise/ Fall Time	5 ns (max.)	
Duty Cycle	40% to 60%	
Stability Vs Temperature	± 5 ppm	B
Operating Temperature Range	-40°C to +85°C	I
Supply Voltage	+5.0 V DC ($\pm 5\%$)	5
Supply Current	30 mA (max.)	
Frequency Adjustment Option	None	N
Aging	± 2 ppm (max.) per Year	
Storage Temperature Range	-55°C to +125°C	

Ordering Information

Example



Rev. Date: 27th July 2021

Doc. No.: AE/DS/P.O/016

ISSUE 00

REVISION 01

Page 1 of 1

Andhra Electronics Pvt. Ltd.

Plot No.: 34 & 35, IDA,
Kakinada-533 005
Andhra Pradesh, India
URL: www.andhraelec.com

Phone: +91 884 234 2203
Fax: +91 884 234 1145
e-mail: info@andhraelec.com