



# Oven Controlled Crystal Oscillator

## OCXO 2526

### Features

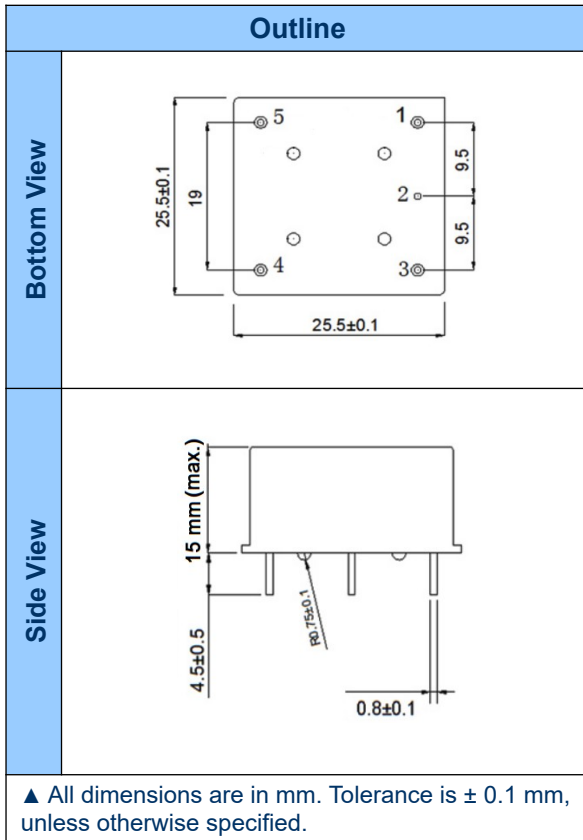
- Wide Temperature Range
- Fast Warming-up
- RoHS Compliant

Specifications		Option Codes
Frequency Range:	40 MHz ~ 120 MHz	
Output Waveform:	Sine Wave	S
Output Level:	+7 dBm (min.)	
Load:	50 Ω ±5%	
Harmonics:	-30 dBc (max.)	
Spurious:	-70 dBc (max.)	
Frequency Tolerance @ 25°C:	±0.3 ppm (max.)	
Operating Temperature Range (OTR):	Select from Table 1	
Temperature Stability:	Select from Table 1	
Supply Voltage, Vdd:	+5 V ± 5% +12 V ± 5%	5 C
Supply Voltage Stability:	± 20 ppb (max.)	
Load Stability:	± 20 ppb (max.)	
Power consumption @ 25°C:	4.0 Watts (max.) during warm-up 1.5 Watts (max.) at steady-state	
Warm-up Time @ 25°C:	5 minutes (max.) to reach within ±100 ppb	
Frequency Adjustment Option:	External Control Voltage None (Fixed Frequency)	V N
Control Voltage Range:	2.5 V ± 2.5 V	
Frequency Tuning Range:	± 0.5 ppm (min.)	
Frequency Tuning Slope:	Positive	
Aging @ 25°C:	±10 ppb (max.) per Day ±1 ppm (max.) per Year (After 30 days of continuous operation)	
Storage Temperature Range:	-55°C to +125°C	



# Oven Controlled Crystal Oscillator

## Mechanical Specifications



**Table 1**

OTR Codes	Stability Codes		050	W	V1	X
	Temperature Stability		$\pm 0.05$ ppm	$\pm 0.1$ ppm	$\pm 0.2$ ppm	$\pm 0.5$ ppm
C	Operating Temperature Range	-20°C to +70°C				
I5		-40°C to +70°C				
I		-40°C to +85°C				
K1		-55°C to +85°C				

Denotes Available  Denotes not Available

## Typical SSB Phase Noise @ 100 MHz

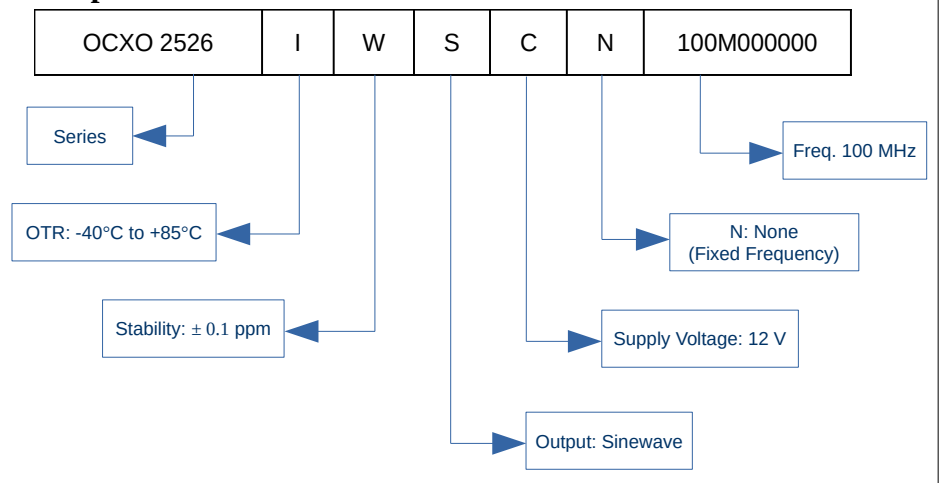
10 Hz Offset	-100 dBc/ Hz
100 Hz Offset	-130 dBc/ Hz
1 KHz Offset	-160 dBc/ Hz
10 KHz Offset	-165 dBc/ Hz
100 KHz Offset	-170 dBc/ Hz

## Pin Configuration:

Pin	Description
1	Output
2	Ground
3	Control Voltage/ No Connection
4	Reference Voltage/ No Connection
5	Supply Voltage

## Ordering Information

### Example



Specifications subject to change without prior notice

Rev. Date: 3<sup>rd</sup> November 2021

Note: Not all combination of options are available. Other specifications may be available upon request.