



# Oven Controlled Crystal Oscillator

## OCXO 2061

### Features

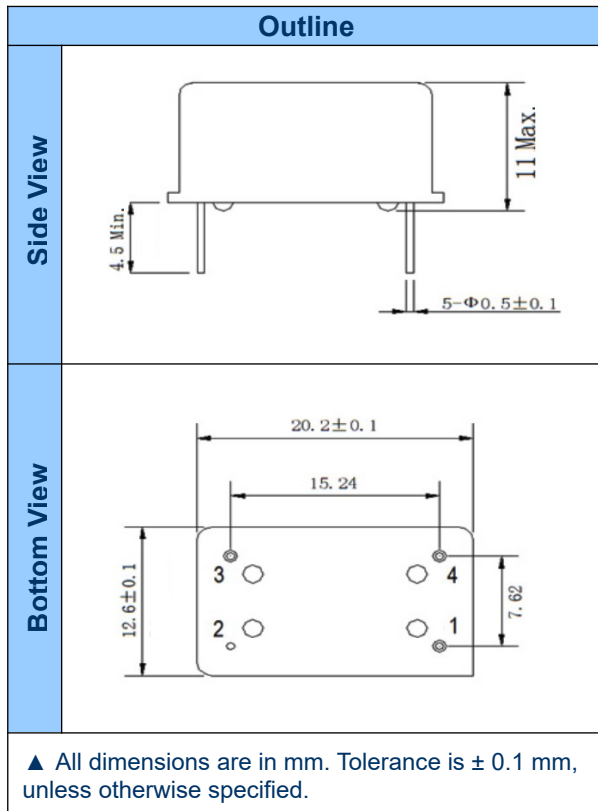
- Wide Temperature Range
- Fast Warming-up
- RoHS Compliant

Specifications		Option Codes
Frequency Range:		40 MHz ~ 120 MHz
Sine Wave	Output Level:	+7 dBm (min.)
	Harmonious:	-30 dBc (max.)
	Spurious:	-70 dBc (max.)
	Load:	50 $\Omega$ $\pm$ 5 %
HCMOS	V <sub>High</sub> :	2.4 V (min.)
	V <sub>Low</sub> :	0.4 V (max.)
	Duty Cycle:	45% to 55%
	Rise/ Fall Time:	3 ns (max.)
	Load:	15 pF $\pm$ 5%
Frequency Tolerance @ 25°C:		$\pm$ 0.3 ppm (max.)
Operating Temperature Range (OTR):		Select from Table 1
Temperature Stability:		Select from Table 1
Supply Voltage, V <sub>dd</sub> :		+5 V $\pm$ 5% +12 V $\pm$ 5%
Supply Voltage Stability:		$\pm$ 10 ppb (max.)
Load Stability:		$\pm$ 10 ppb (max.)
Power Consumption @ 25°C:		3 Watts (max.) during warm-up 1.5 Watts (max.) at steady-state
Warm-up Time @ 25°C:		5 minutes (max.) to reach within $\pm$ 100 ppb
Frequency Adjustment Option:		External Control Voltage None (Fixed Frequency)
Control Voltage Range:		2.5 V $\pm$ 2.5 V
Frequency Tuning Range:		$\pm$ 0.5 ppm (min.)
Frequency Tuning Slope:		Positive
Aging @ +25°C:		$\pm$ 10 ppb (max.) per Day $\pm$ 1 ppm (max.) per Year (After 30 days of continuous operation)
Storage Temperature Range:		-55°C to +125°C



# Oven Controlled Crystal Oscillator

## Mechanical Specifications



**Table 1**

OTR Codes	Stability Codes		
	W	V1	V
	$\pm 0.1$ ppm	$\pm 0.2$ ppm	$\pm 0.3$ ppm
C	Operating Temperature Range	-20°C to +70°C	
I5		-40°C to +70°C	
I		-40°C to +85°C	

Denotes Available  Denotes not Available

**Table 2**  
Typical SSB Phase Noise @ 100 MHz

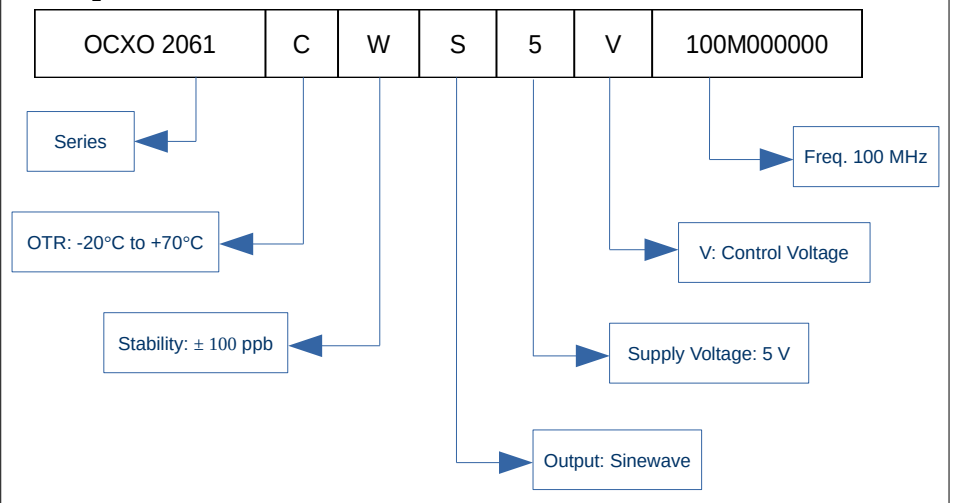
10 Hz offset	-85 dBc/ Hz
100 Hz offset	-115 dBc/ Hz
1 KHz offset	-145 dBc/ Hz
10 KHz offset	-155 dBc/ Hz
100 KHz offset	-155 dBc/ Hz

## Pin Configuration:

Pin	Option N	Option V
1	No Connection	Control Voltage
2	Ground	Ground
3	Output	Output
4	Supply Voltage	Supply Voltage

## Ordering Information

### Example



Specifications subject to change without prior notice

Rev. Date: 31<sup>st</sup> May 2023

Note: Not all combination of options are available. Other specifications may be available upon request.

Doc. No.: AE/DS/P.O/017

ISSUE 00

REVISION 01

Page 2 of 2

Andhra Electronics Pvt. Ltd.

Plot no. 34 & 35, IDA,  
Kakinada-533 005  
Andhra Pradesh, India  
URL: [www.andhraelec.com](http://www.andhraelec.com)

Phone: +91 884 234 2203  
Fax: +91 884 234 1145  
e-mail: [info@andhraelec.com](mailto:info@andhraelec.com)