



# SMD High Stability Crystal Oscillator

**CXO 3223**

## Features

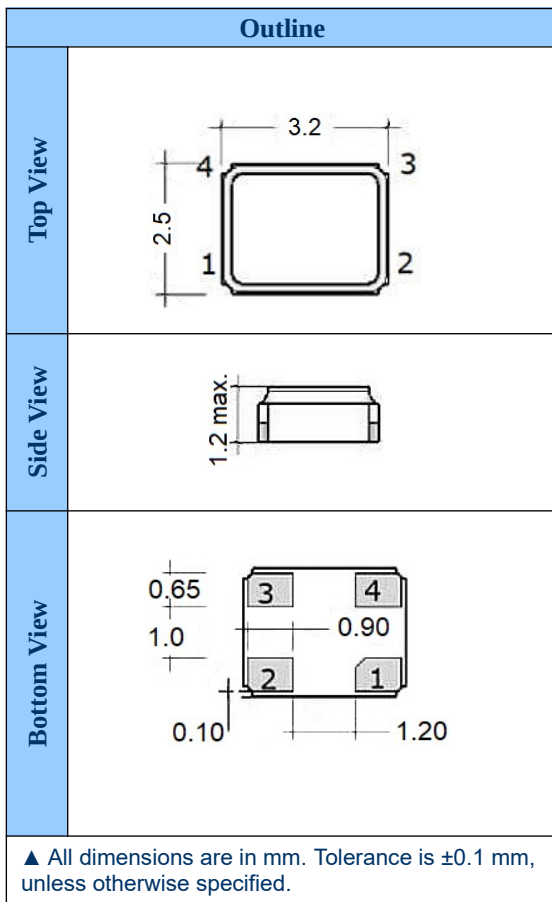
- High Stability
- Wide Operating Temperature
- Low Phase Noise

Specifications		Option Codes
Frequency Range:	10 MHz ~ 70 MHz	
Output Compatibility:	HCMOS	
Output Load:	15 pF	
Output Levels:	$V_{Low}: 0.4 \text{ V (max.)}$ $V_{High}: V_{dd} - 0.4 \text{ V (min.)}$	
Duty Cycle:	45% to 55%	
Rise/ Fall Time:	8 ns (max.)	
Frequency Stability:	As per Table 1	
Operating Temperature Range:	As per Table 1	
Supply Voltage, $V_{dd}$ :	+2.5 V $\pm$ 10% +3.3 V $\pm$ 10% +1.8 V ~ 3.3 V	2 3 4
Current Consumption:	$\leq 20 \text{ MHz}$	6 mA (max.)
	$\leq 50 \text{ MHz}$	8 mA (max.)
	$\leq 70 \text{ MHz}$	10 mA (max.)
Output Enable Voltage:	70% $V_{dd}$ (min.)	
Output Disable Voltage:	30% $V_{dd}$ (max.)	
Aging @ 25°C:	$\pm 1 \text{ ppm (max.) per Year}$	
Storage Temperature Range:	-55°C to +125°C	



# SMD High Stability Crystal Oscillator

## Mechanical Specifications



**Table 1**

OTR Codes	Stability Codes					
	Frequency Stability	D $\pm 10$ ppm	E $\pm 15$ ppm	F $\pm 20$ ppm	G $\pm 25$ ppm	M $\pm 50$ ppm
I	-40°C to +85°C					
J5	-40°C to +105°C					
K	-55°C to +105°C					
L	-55°C to +125°C					

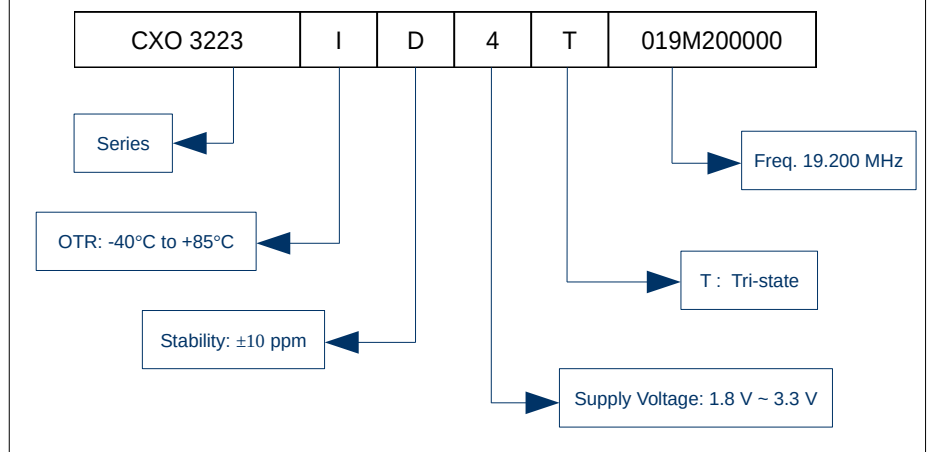
Denotes Available
  Denotes not Available

### Pad Configuration:

Pad	Description
1	Tri-state
2	Ground
3	Output
4	Supply Voltage

### Ordering Information

#### Example



Specifications subject to change without prior notice

Rev. Date: 7<sup>th</sup> December 2022

Note: Not all combination of options are available. Other specifications may be available upon request.

Doc. No.: AE/DS/CS/024

ISSUE 01

REVISION 00  
Page 2 of 2

Andhra Electronics Pvt. Ltd.

Plot no. 34 & 35, IDA,  
Kakinada-533 005  
Andhra Pradesh, India  
URL: [www.andhraelec.com](http://www.andhraelec.com)

Phone: +91 884 234 2203  
Fax: +91 884 234 1145  
e-mail: [info@andhraelec.com](mailto:info@andhraelec.com)