



Features

- Low Height
- From 1 MHz ~ 60 MHz
- High speed CMOS
- RoHS Compliant

Table 1: General Specifications

Frequency Range	1 MHz ~ 60 MHz
Output	HCMOS Compatible, Square Wave
Output Load	15 pF
Output Levels	V _{Low} : 0.1 Vdd (max.), V _{High} : 0.9 Vdd (min.)
Rise/ Fall Time	7 ns (max.): For +1.8 Volts and +2.5 Volts 10 ns (max.): For +3.3 Volts and +5.0 Volts
Start-up Time	5 mS (max.) (1 MHz ~ 32 MHz) 10 mS (max.) (32 MHz ~ 160 MHz)
Duty Cycle	45% to 55%
Frequency Stability	Select from Table 3
Operating Temperature Range (OTR)	Select from Table 3
Supply Voltage	+1.5 V DC (± 5%) [code: Z] +1.8 V DC (± 5%) [code: 1] +2.5 V DC (± 5%) [code: 2] +3.3 V DC (± 5%) [code: 3] +1.8 V DC ~ +3.3 V DC [code: 4] +2.25 V DC ~ +3.63 V DC [code: 6]
Current Consumption	22 mA (max.) @ +1.8 Volts 25 mA (max.) @ +2.5 Volts 35 mA (max.) @ +3.3 Volts 40 mA (max.) @ +5.0 Volts
Aging @ 25°C	±3 ppm (max.) per year
Storage Temperature Range	-50°C to +100°C

Table 2: Environmental Specifications

Vibration	Frequency: 10 Hz ~ 55 Hz Amplitude: 1.5 mm peak, Acceleration: 20g Vibration waveform: Full waveform Duration: 2 Hours in each axis, 3 directions (X, Y, Z)
Drop Test	Method of Drop: Free Drop Dropping Floor: Hard wood board, 3cm/ min. Height: 75 cm ± 1.0 cm No. of Drops: 3

SMD Crystal Oscillator

Mechanical Specifications

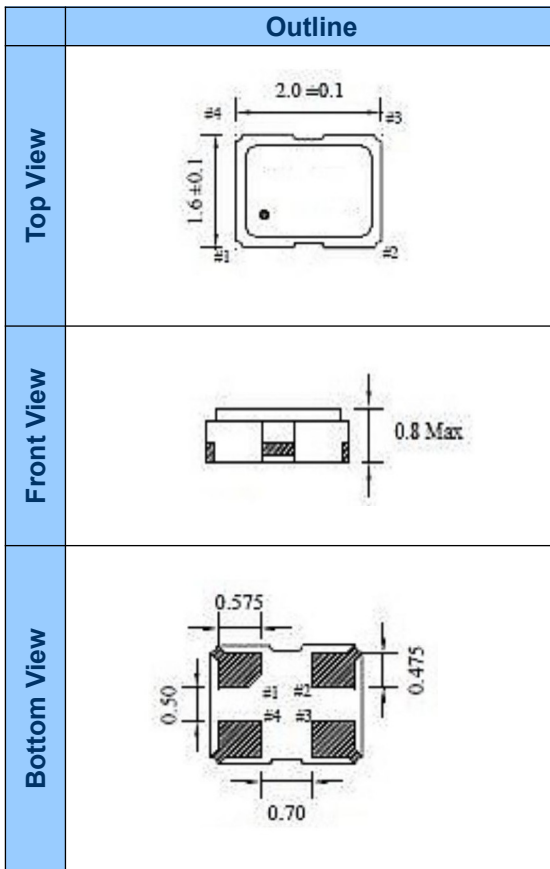


Table 3: Operating Temperature and Stability

OTR Codes	Stability Codes					
	F	G	H	M	K	
Frequency Stability		± 20 ppm	± 25 ppm	± 30 ppm	± 50 ppm	± 100 ppm
E	Operating Temperature Range	-10°C to +70°C				
C		-20°C to +70°C				
G		-30°C to +80°C				
H		-30°C to +85°C				
I		-40°C to +85°C				
J5		-40°C to +105°C				
J3		-40°C to +125°C				

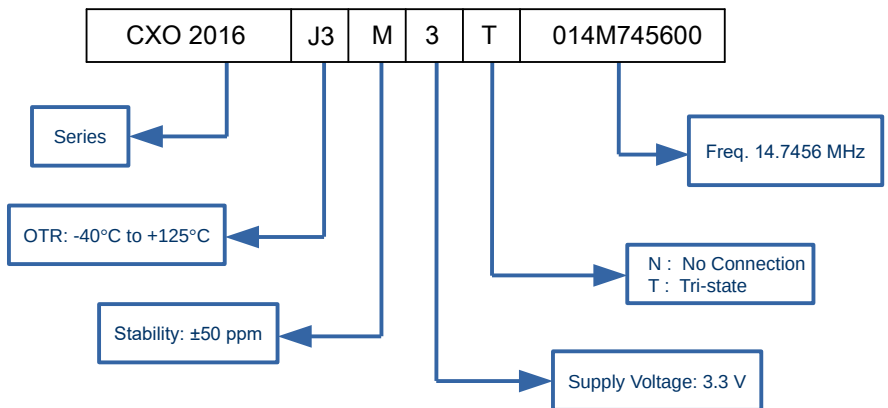
Denotes Available Denotes not Available

▲ All dimensions are in mm. Tolerance is ± 0.1 mm, unless otherwise specified. Black Dot or Sharp Edges indicates Pad No. 1.

Pad Configuration:
Pad 1: Tri-state (Standard); No Connection (Optional)
Pad 2: Ground
Pad 3: Output
Pad 4: Supply Voltage

Ordering Information

Example



Specifications subject to change without prior notice.

Rev. Date: 12th December 2025

Note: Not all combinations of options are available. Other specifications may be available upon request.

Doc. No.: AE/DS/CS/022

ISSUE 01

REVISION 01

Page 2 of 2

Andhra Electronics Pvt. Ltd.

Plot no.34 & 35, IDA,
 Kakinada-533 005
 Andhra Pradesh, India
 URL: www.andhraelec.com

Phone: +91 884 234 2203
 Fax: +91 884 234 1145
 e-mail: info@andhraelec.com