



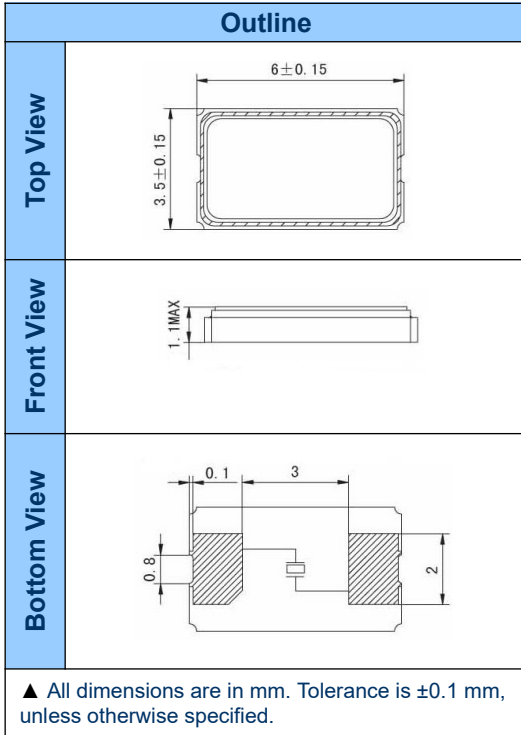
# SMD Quartz Crystal

## 6034

### Features

- 2-pad SMD
- RoHS Compliant

### Mechanical Specifications



### Specifications

Frequency Range:	12 MHz ~ 40 MHz
Mode of Oscillation:	Fundamental
Frequency Tolerance at 25°C:	Select from Table 1
Operating Temperature Range (OTR):	Select from Table 2
Temperature Stability:	Select from Table 1
Equivalent Series Resistance (ESR):	50 Ohms (max.)
Drive Level:	10 μ Watts (typ.)
Resonance Condition:	XXS: Series; XXP: Parallel with XX pF
Aging @ 25°C:	± 5 ppm/ Year (max.)
Storage Temperature Range:	-40°C to +85°C

Table 1

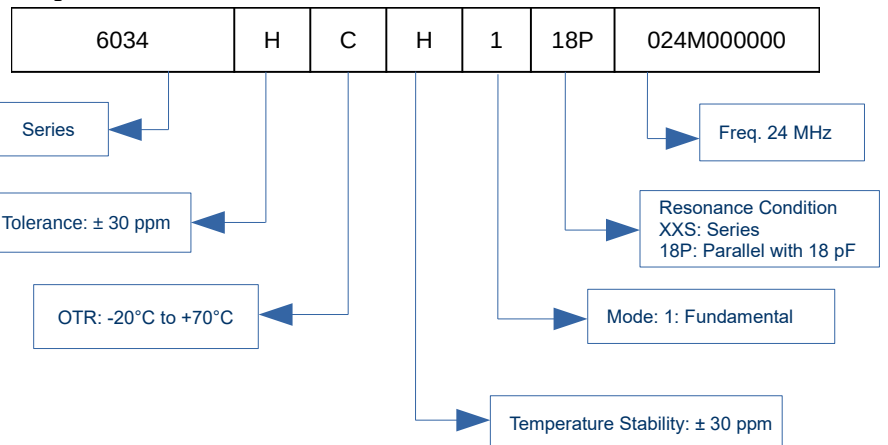
Frequency Tolerance/ Stability	
Code	Stability
D	±10 ppm
E	±15 ppm
F	±20 ppm
G	±25 ppm
H	±30 ppm
M	±50 ppm
K	±100 ppm

Table 2

Operating Temperature Range	
Code	Range
B	0°C to +60°C
F	0°C to +70°C
D	-10°C to +60°C
E	-10°C to +70°C
C	-20°C to +70°C
G	-30°C to +80°C
H	-30°C to +85°C
I	-40°C to +85°C

### Ordering Information

#### Example



Specifications subject to change without notice

Date of Issue: 27<sup>th</sup> February 2021

Note: Not all combination of options are available. Other specifications may be available upon request.

Doc. No.: AE/DS/XS/007

ISSUE 01

REVISION 00

Page 1 of 1

## Andhra Electronics Pvt. Ltd.

Plot No.: 34 & 35, IDA,  
Kakinada-533 005  
Andhra Pradesh, India  
URL: [www.andhraelec.com](http://www.andhraelec.com)

Phone: +91 884 234 2203  
Fax: +91 884 234 1145  
e-mail: [info@andhraelec.com](mailto:info@andhraelec.com)