



SMD Quartz Crystal

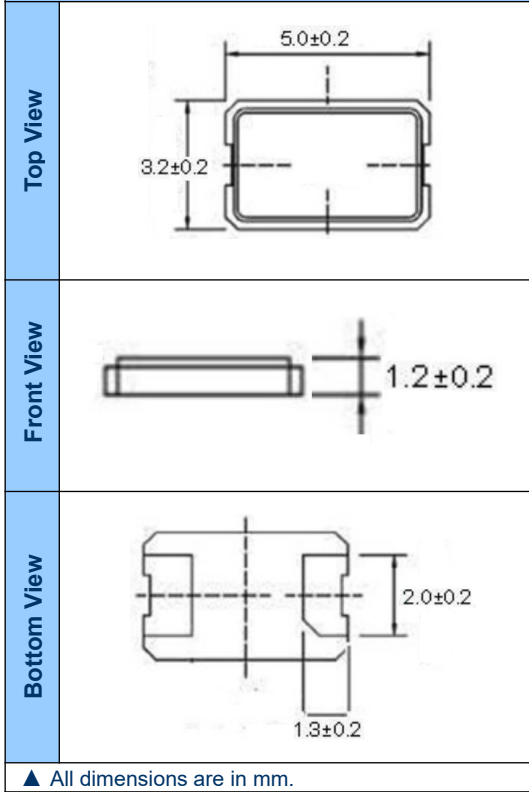
5031

Features

- 2-Pad SMD
- Wide Operating Temperature
- RoHS Compliant

Mechanical Specifications

Outline



Frequency Range	10 MHz ~ 40 MHz
Mode of Oscillation	Fundamental
Frequency Tolerance at 25°C	± 10 ppm to ± 30 ppm
Operating Temperature Range (OTR)	Select from Table below
Temperature Stability	Select from Table below
Equivalent Series Resistance (ESR)	See Table below
Drive level	10 μ Watts (typ.) 100 μ Watts (max.)
Resonance Condition	XXS – Series, XXP – Parallel with xx pF (Parallel 8 pF, 12 pF, 18 pF, 20 pF)
Storage Temperature Range	-50°C to +105°C
Aging @ 25°C	± 3 ppm (max.) per Year

Frequency Tolerance @ 25°C/ Stability over OTR	
Code	Stability
D	± 10 ppm
F	± 20 ppm
H	± 30 ppm
M	± 50 ppm
K	± 100 ppm

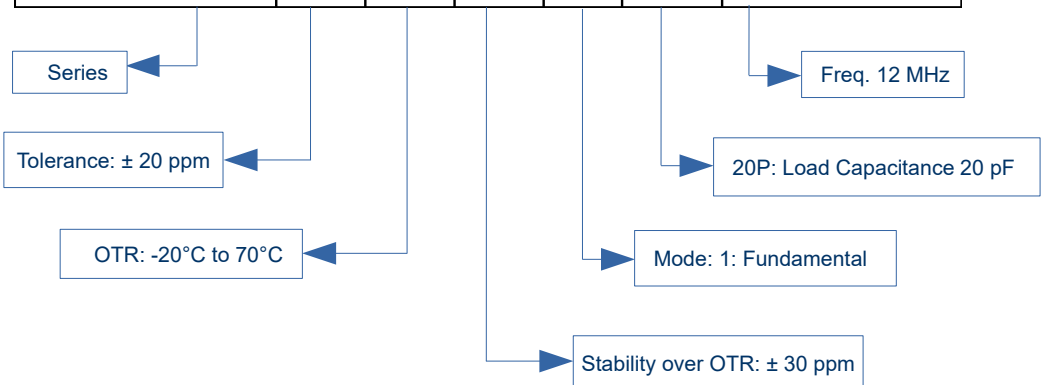
Operating Temperature Range	
Code	Temperature
B	0°C to +60°C
D	-10°C to +60°C
C	-20°C to +70°C
I	-40°C to +85°C
J3	-40°C to +125°C

Max. Equivalent Series Resistance	
Frequency Range (MHz)	ESR
10.0 ~ 11.9	80 Ω
12.0 ~ 40.0	50 Ω

Ordering Information

Example

5031	F	C	H	1	20P	012M000000
------	---	---	---	---	-----	------------



Specifications subject to change without prior notice.

Date of Issue: 20th March 2024

Note: Not all combination of options are available. Other specifications may be available upon request.

Doc. No.: AE/DS/XS/005

ISSUE 01

REVISION 02

Page 1 of 1

Andhra Electronics Pvt. Ltd.

Plot no. 34 & 35, IDA,
 Kakinada-533 005
 Andhra Pradesh, India
 URL: www.andhraelec.com

Phone: +91 884 234 2203
 Fax: +91 884 234 1145
 e-mail: info@andhraelec.com